



TNC Female to TNC Female 4 Hole Flange Adapter

TECHNICAL DATA SHEET

PE9288

Configuration

| | |
|---------------------------|---------------|
| Connector 1 | TNC Female |
| Impedance 1 | 50 Ohms |
| Connector Specification 1 | MIL-STD-348A |
| Connector 2 | TNC Female |
| Impedance 2 | 50 Ohms |
| Connector Specification 2 | MIL-STD-348A |
| Adapter Design | Standard |
| Body Style | Straight |
| Mount Method | 4 Hole Flange |

Electrical Specifications

| | |
|----------------------------------|----------|
| Frequency Range, GHz | DC to 11 |
| Maximum Operating Voltage, Volts | 500 |

Mechanical Specifications

Temperature

| | |
|------------------------|-------------|
| Operating Range, deg C | -65 to +165 |
|------------------------|-------------|

Size

| | |
|---------------------|---------------|
| Length, in [mm] | 1.28 [32.51] |
| Width/Dia., in [mm] | 0.687 [17.45] |
| Height, in [mm] | 0.687 [17.45] |

Connector 1

| | |
|--------------------------------------|------------------|
| Type | TNC Female |
| Inner Conductor Material and Plating | Brass, Gold |
| Body Material and Plating | Brass, Nickel |
| Body Plating Specification | 100µ in. minimum |
| Dielectric Type | Teflon |

Connector 2

| | |
|--------------------------------------|------------------|
| Type | TNC Female |
| Inner Conductor Material and Plating | Brass, Gold |
| Body Material and Plating | Brass, Nickel |
| Body Plating Specification | 100µ in. minimum |
| Dielectric Type | Teflon |

Compliance Certifications (visit www.Pasternack.com for current document)

| | |
|-----------------|------------|
| RoHS Compliant | |
| REACH Compliant | 06/18/2012 |

Click the following link (or enter part number in "SEARCH" on website) to obtain additional part information including price, inventory and certifications: [TNC Female to TNC Female 4 Hole Flange Adapter PE9288](#)



TNC Female to TNC Female 4 Hole Flange Adapter

TECHNICAL DATA SHEET

PE9288

Plotted and Other Data

Notes:

- Values at +25 °C, sea level

TNC Female to TNC Female 4 Hole Flange Adapter from Pasternack Enterprises has same day shipment for domestic and International orders. Our RF, microwave and millimeter wave products maintain a 99% availability and are part of the broadest selection in the industry.

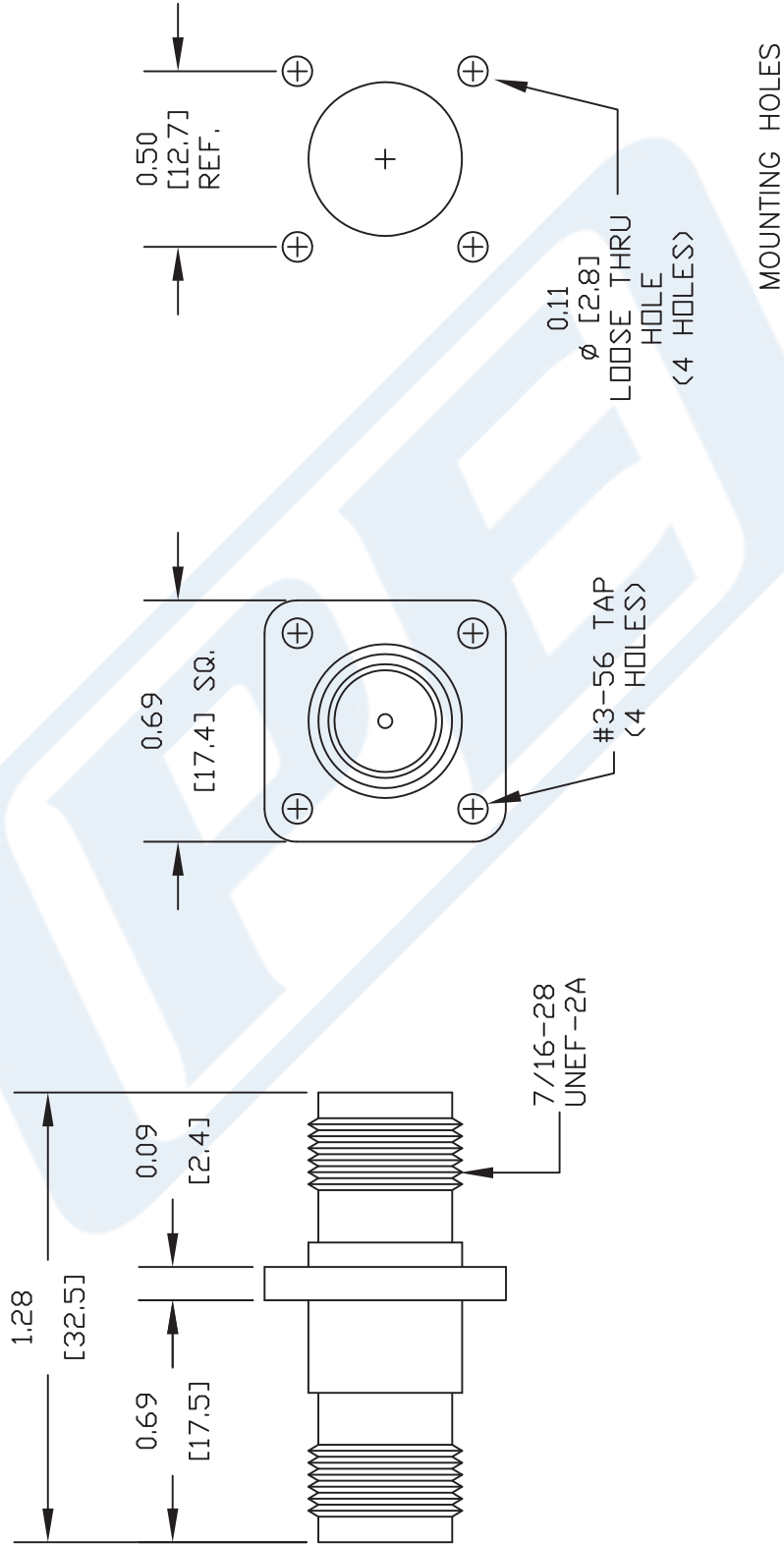
Click the following link (or enter part number in "SEARCH" on website) to obtain additional part information including price, inventory and certifications: [TNC Female to TNC Female 4 Hole Flange Adapter PE9288](#)

URL: <http://www.pasternack.com/tnc-female-tnc-female-straight-adapter-pe9288-p.aspx>

The information contained in this document is accurate to the best of our knowledge and representative of the part described herein. It may be necessary to make modifications to the part and/or the documentation of the part, in order to implement improvements. Pasternack reserves the right to make such changes as required. Unless otherwise stated, all specifications are nominal. Pasternack does not make any representation or warranty regarding the suitability of the part described herein for any particular purpose, and Pasternack does not assume any liability arising out of the use of any part or documentation.

PE9288 CAD Drawing

TNC Female to TNC Female 4 Hole Flange Adapter



DWG TITLE

PE9288

NOTES:
 1. UNLESS OTHERWISE SPECIFIED ALL DIMENSIONS ARE NOMINAL.
 2. ALL SPECIFICATIONS ARE SUBJECT TO CHANGE WITHOUT NOTICE AT ANY TIME.
 3. DIMENSIONS ARE IN INCHES [mm].

REV. A

FSCM NO. 53919

CAD FILE 082311

SCALE N/A

SIZE A

2231

PE PASTERNAK®

Pasternack Enterprises, Inc.
 P.O. Box 16759 | Irvine | CA | 92623
Phone: (949) 261-1920 | **Fax:** (949) 261-7451
Website: www.pasternack.com | **E-Mail:** sales@pasternack.com