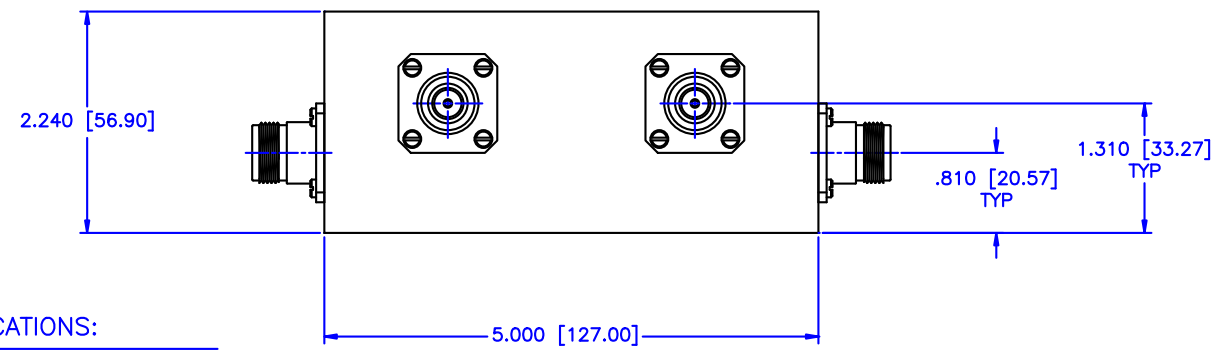
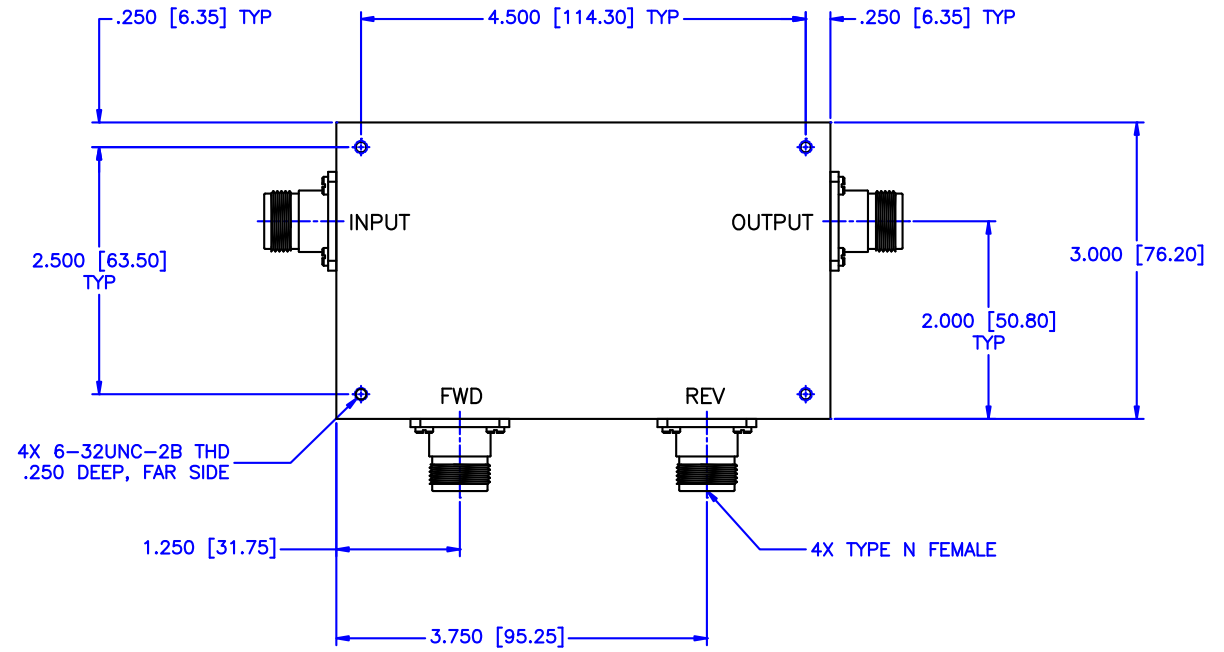


REVISIONS				
ZONE	REV	DESCRIPTION	DATE	APPROVED



SPECIFICATIONS:

FREQUENCY RANGE: 1.5–30 MHz
 FLATNESS: ± 0.30 dB
 INSERTION LOSS: 0.05dB Max.
 DIRECTIVITY: 25dB Min.
 VSWR: 1.10:1 Max.
 POWER: 5,000 Watts CW

MATERIAL:		MCLI MICROWAVE COMMUNICATIONS LABORATORIES INC. 7255 30TH AVE. N. SAINT PETERSBURG, FL 33710 TEL: (727) 344-6254 FAX: (727) 381-6116 http://WWW.MCLI.COM	SCALE: N/A
			SHEET: N/A
UNLESS OTHERWISE SPECIFIED: TOLERANCES IN (INCHES) OR [mm] (MILLIMETERS) FRACTIONS: $\pm 1/64$ DECIMALS: $\pm 0.01 \pm 0.005$ ANGLE: $\pm 1/2^\circ$		DRAWING TITLE: HIGH POWER DUAL DIRECTIONAL COUPLER	
DRAWN: Paiboon Luekhamhan		PART NO.: HDL-10-50	
DATE: 01-04-2011		CAGE CODE: OD2L5	
APPROVED: T. Nguyen		SIZE: C	REV: N/A
DATE: 01-04-2011		DWG NO.: 85227	
THIRD ANGLE PROJECTION		DO NOT SCALE THE DRAWING	