

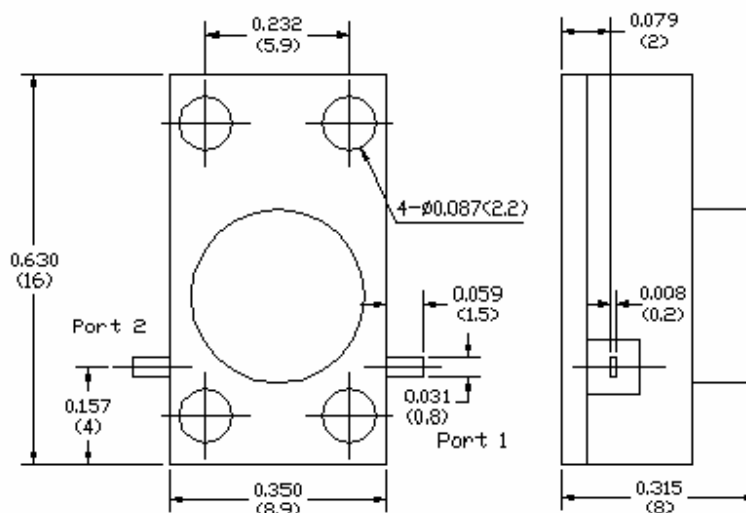
**Key Features:**

- Frequency range: 8.0~18GHz, bandwidth from 200MHz to 1000MHz
- Drop-in configuration
- Small size, low cost
- Power handling +5 Watts
- Operating temperature -30~+60°C
- Customer specify center frequency and bandwidth

**Electrical Specifications**

Part No.	Freq Range GHz	Ins. Loss, dB Max	Reverse Iso., dB Min	VSWR Max	Forward Power, Watts	Reverse Power Watts	Temp. Range, °C
F1228-0900-11	8.5~9.5	0.5	20	1.2	≥ 5	≥ 5	-30 ~ +60
F1228-1000-10	9.5~10.5	0.5	20	1.2	≥ 5	≥ 5	-30 ~ +60
F1228-1300-08	12.5-13.5	0.5	20	1.2	≥ 5	≥ 5	-30 ~ +60
F1228-1425-04	14.0~14.5	0.5	20	1.2	≥ 5	≥ 5	-30 ~ +60
F1228-1285-13	13.0-13.7	0.5	20	1.2	≥ 5	≥ 5	-30 ~ +60
F1228-1500-07	14.5~15.5	0.5	20	1.2	≥ 5	≥ 5	-30 ~ +60

**Mechanical Structure:**



Note: All units in inches (mm).

**Ordering Information:**

