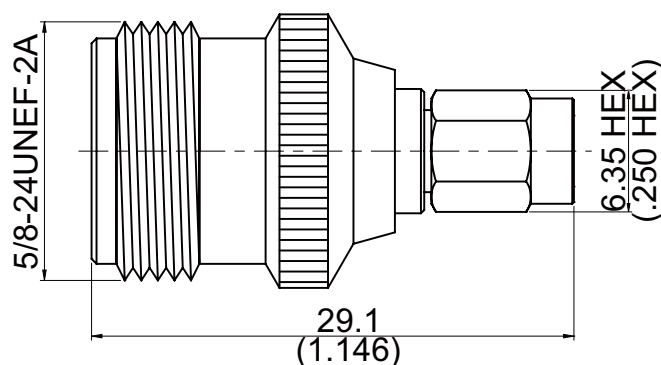


AD-N8SA3

N Jack To SSMA Plug

50Ω



Typical VSWR

Part Number	1 GHz	2~3 GHz	4 GHz	5~8 GHz	9 GHz
AD-N8SA3	1.03	1.04	1.10	1.20	1.29

Parts	Material	Plating (Micro-inch)
Retainer Ring	Brass	Tin-Zinc-Copper-Alloy 100 Over Copper 50
Gasket	Silicon	
Contact Pin	Beryllium Copper	Gold 20 Over Nickel 50 Over Copper 50
Insulator	Teflon	
Body (SSMA)	Brass	Gold 5 Over Nickel 50 Over Copper 50
Body (N)	Brass	Tin-Zinc-Copper-Alloy 100 Over Copper 50
Coupling Nut (SSMA)	Brass	Gold 5 Over Nickel 50 Over Copper 50

Weight: 20.33 g

This part number complies with RoHS.

Notice: JYEBAO reserves the right to make modifications deemed appropriate.