

## Surface Mount Circulators

Part Number: KTSC-009A

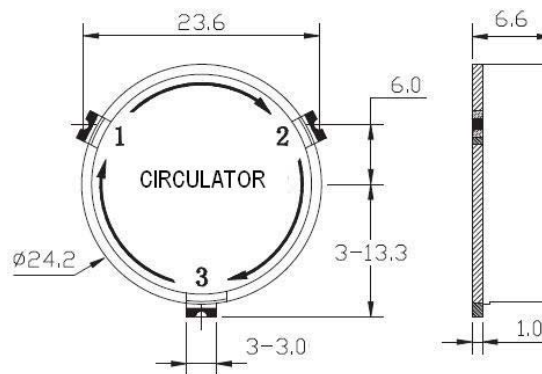
### Main Features:

- Frequency Range: 820MHz -960MHz
- High Power Handling, Low Insertion Loss, Small Size
- PCB Soldering Re-flow
- Wide Operating Temperature: -10°C ~+70°C
- RFID and PCS, DCS, CDMA, UMTS Band Design

### Electrical Specifications at Room Temperature:

Part Number	Freq. Range (GHz)	Bandwidth Max. (MHz)	Insertion Loss Max. (dB)	Isolation Min. (dB)	VSWR Max.	Forward Power (W)	Round Size Dia.(mm)
KTSC-009A	0.82 - 0.96	100	0.3	23	1.20	60	Φ24.2

### Mechanical Dimensions (mm):



### HOW TO ORDER

