

TERMINATION N/MALE 18 GHZ 5 WATTS

ST18N530

SPECIFICATIONS

ELECTRICAL:

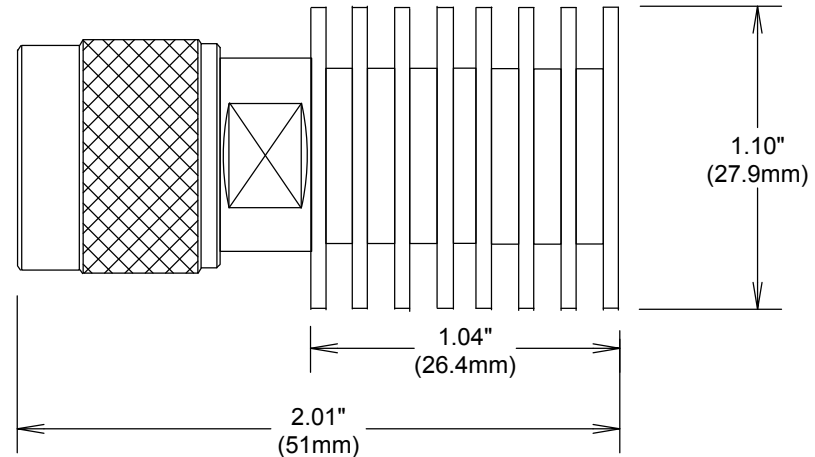
FREQUENCY: 0-18 GHZ
VSWR: 1.4:1 MAX TO 18 GHZ
POWER (AVG) 5 WATTS @ 25 DEG C
POWER DERATES LINEARLY TO 1 WATT @ 125 C°
IMPEDANCE: 50 OHMS

MECHANICAL:

MATERIAL CONNECTORS: BRASS, TRIMETAL PLATING
MATERIAL CONTACT: Au PLATED BRASS 30μ-in

ENVIRONMENTAL:

TEMP: -55° C TO +125° C



FAIRVIEW MICROWAVE INC.

ALLEN, TX 75013 WWW.FAIRVIEWMICROWAVE.COM

TITLE

TERMINATION N/MALE 18 GHZ 5 WATTS

SIZE	CAGE CODE	DWG NO	REV
A	3FKR5	ST18N530	--
SCALE		SHEET	

ALL DIMENSIONS IN inches(MM) Typical