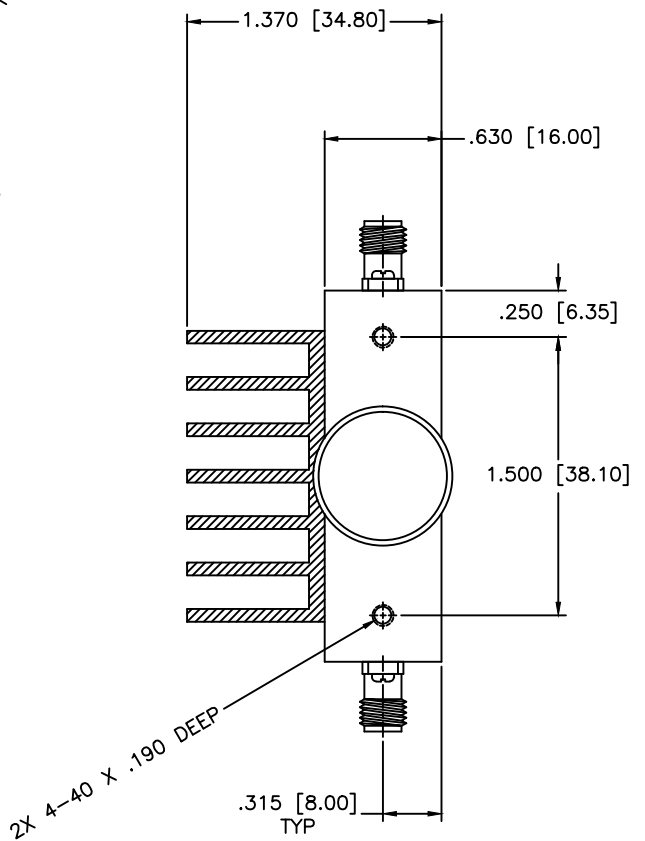
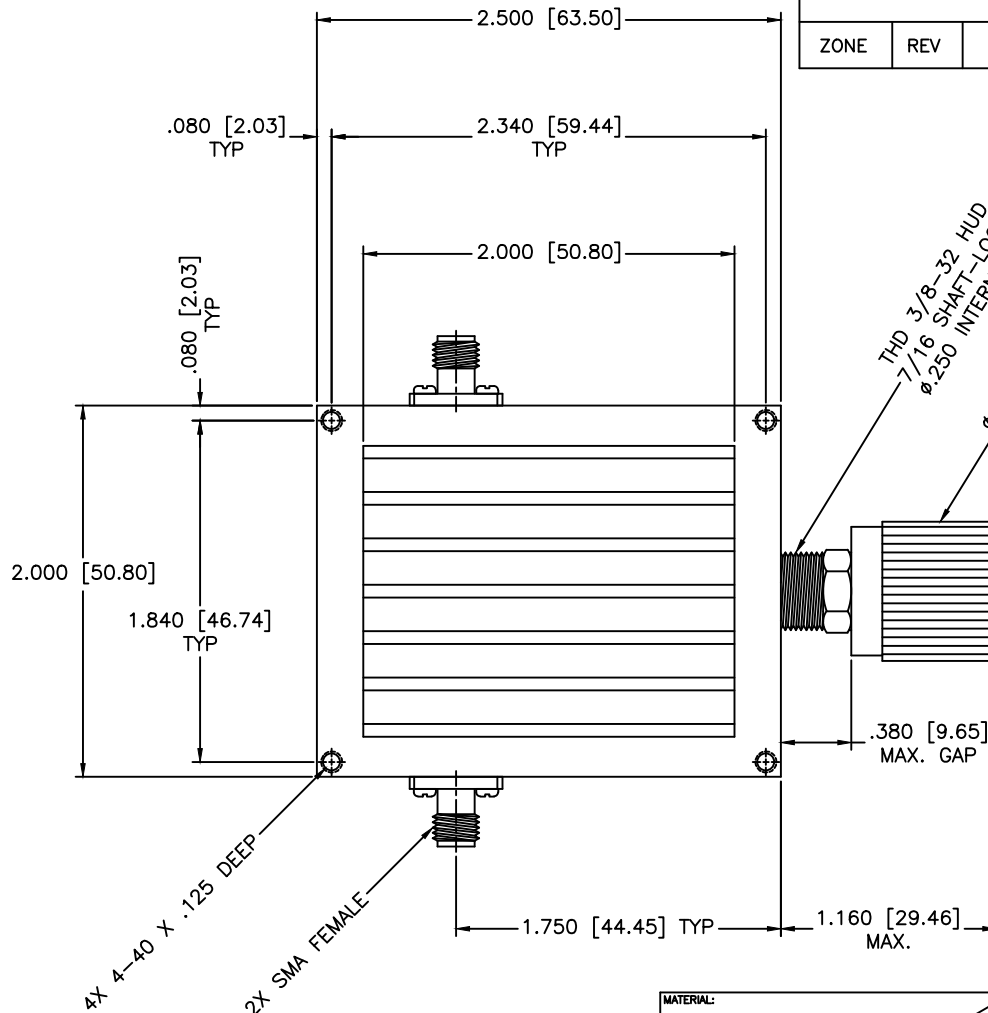


REVISIONS				
ZONE	REV	DESCRIPTION	DATE	APPROVED



**SPECIFICATION**

Frequency Range: 11.7-18 GHz  
 Attenuation: 15dB  
 Insertion Loss: 0.5 Max.  
 VSWR: 1.50:1 Max.  
 RF Power: 50W Average, 5kW Peak

MATERIAL:	
DRAWN: Paiboon Luekhamhan	DATE: 02-10-2011
APPROVED: T. Nguyen	DATE: 02-10-2011

	MICROWAVE COMMUNICATIONS LABORATORIES INC. 7255 30TH AVE. N. SAINT PETERSBURG, FL 33710 TEL: (727) 344-6254 FAX: (727) 381-6116 http://WWW.MCLI.COM		SCALE: N/A
	UNLESS OTHERWISE SPECIFIED: TOLERANCES IN (INCHES) OR [mm] (MILLIMETERS) FRACTIONS: ± 1/64 DECIMALS: ±.015 ANGLE: ±1/2°		SHEET: N/A
DRAWING TITLE: <b>CONTINUOUSLY VARIABLE ATTENUATOR, HIGH POWER</b>		PART NO. HA50-9-15	
CAGE CODE: OD2L5	SIZE: A	REV: N/A	DWG NO. 85498
DO NOT SCALE THE DRAWING			

THIRD ANGLE PROJECTION