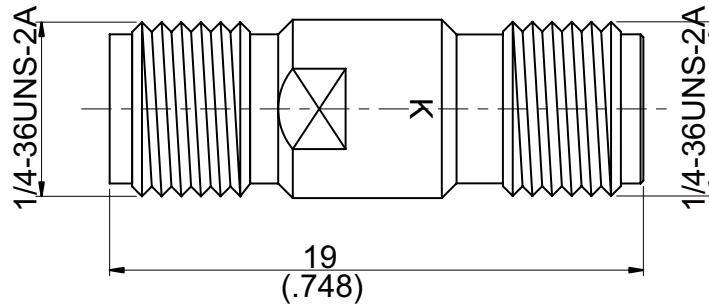


ADS-A8K8

Stainless SMA Jack To K Jack

50Ω



Typical VSWR

Part Number	1~3 Ghz	4Ghz	5Ghz	6Ghz	7Ghz	8~17Ghz
ADS-A8K8	1.03	1.04	1.05	1.06	1.08	1.10
	18Ghz	19Ghz	20Ghz	21Ghz	22~27Ghz	\
	1.11	1.12	1.15	1.16	1.18	\

NOTE: Black Dot Indicates 2.92 Interface.

Parts	Material	Plating (Micro-inch)
Contact Pin	Beryllium Copper	Gold 20 Over Nickel 50 Over Copper 50
Insulator	P.P.O.	
Body	Stainless Steel	Passivated

Weight: 1.32 g

This part number complies with RoHS.

Notice: JYEBAO reserves the right to make modifications deemed appropriate.