



Medium Power 50 Watts RF Load Up To 2.7 GHz With 7/16
 DIN Male and Female Input Paint Plated Aluminum

TECHNICAL DATA SHEET

PE6238

Configuration

RF Load Design	Low PIM
Connector	7/16 DIN Male and Female
Heat Sink	Aluminum, Paint
Connection Method	Standard
Body Style	Straight

Electrical Specifications (Values at 25°C, sea level)

Description	Minimum	Typical	Maximum	Units
Frequency Range	0.69		2.7	GHz
Impedance			50	Ohms
VSWR			1.2:1	
Input Power			50	Watts
Passive Intermodulation	168			dBc

Specifications by Frequency

Description	F1	F2	F3	F4	F5	Units
Range	0.69 to 2.7					GHz

Mechanical Specifications

Temperature

Operating Range -10 to +65 deg C

Size

Length 6.2 in [157.48 mm]
 Width/Dia. 1.89 in [48.01 mm]
 Height 4.45 in [113.03 mm]
 Color Black

Connector

Type 7/16 DIN Male and Female
 Outer Conductor Material and Plating Silver

Compliance Certifications (visit www.Pasternack.com for current document)

RoHS Compliant

Click the following link (or enter part number in "SEARCH" on website) to obtain additional part information including price, inventory and certifications: [Medium Power 50 Watts RF Load Up To 2.7 GHz With 7/16 DIN Male and Female Input Paint Plated Aluminum PE6238](#)





Medium Power 50 Watts RF Load Up To 2.7 GHz With 7/16
DIN Male and Female Input Paint Plated Aluminum

TECHNICAL DATA SHEET

PE6238

Plotted and Other Data

Notes:

- Values at +25 °C, sea level
- Only one port to be used at a time.

Click the following link (or enter part number in "SEARCH" on website) to obtain additional part information including price, inventory and certifications: [Medium Power 50 Watts RF Load Up To 2.7 GHz With 7/16 DIN Male and Female Input Paint Plated Aluminum PE6238](#)

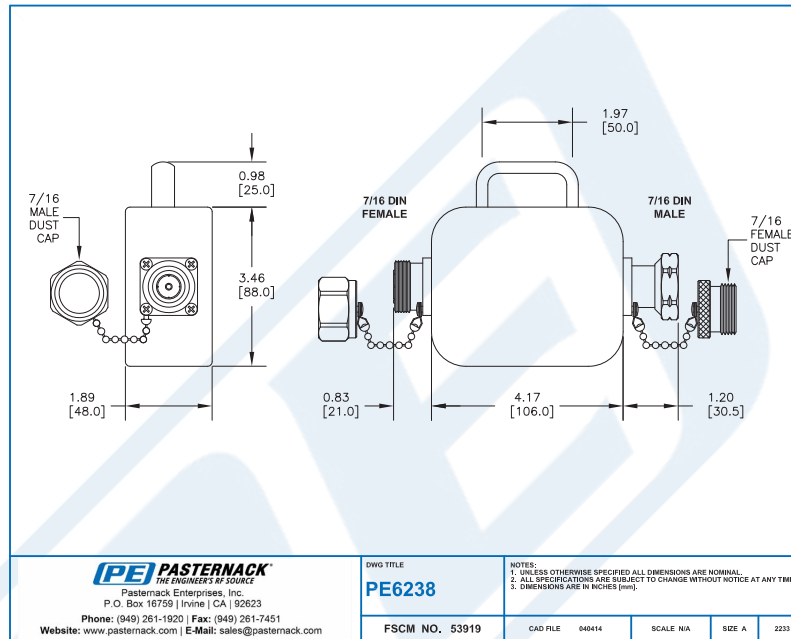


Medium Power 50 Watts RF Load Up To 2.7 GHz With 7/16
DIN Male and Female Input Paint Plated Aluminum

TECHNICAL DATA SHEET

PE6238

Outline Drawing



Medium Power 50 Watts RF Load Up To 2.7 GHz With 7/16 DIN Male and Female Input Paint Plated Aluminum from Pasternack Enterprises has same day shipment for domestic and International orders. Our RF, microwave and millimeter wave products maintain a 99% availability and are part of the broadest selection in the industry.

Click the following link (or enter part number in "SEARCH" on website) to obtain additional part information including price, inventory and certifications: [Medium Power 50 Watts RF Load Up To 2.7 GHz With 7/16 DIN Male and Female Input Paint Plated Aluminum PE6238](http://www.pasternack.com/shorting-7-16-male-dust-cap-pe6238-p.aspx)

URL: <http://www.pasternack.com/shorting-7-16-male-dust-cap-pe6238-p.aspx>

The information contained in this document is accurate to the best of our knowledge and representative of the part described herein. It may be necessary to make modifications to the part and/or the documentation of the part, in order to implement improvements. Pasternack reserves the right to make such changes as required. Unless otherwise stated, all specifications are nominal. Pasternack does not make any representation or warranty regarding the suitability of the part described herein for any particular purpose, and Pasternack does not assume any liability arising out of the use of any part or documentation.

