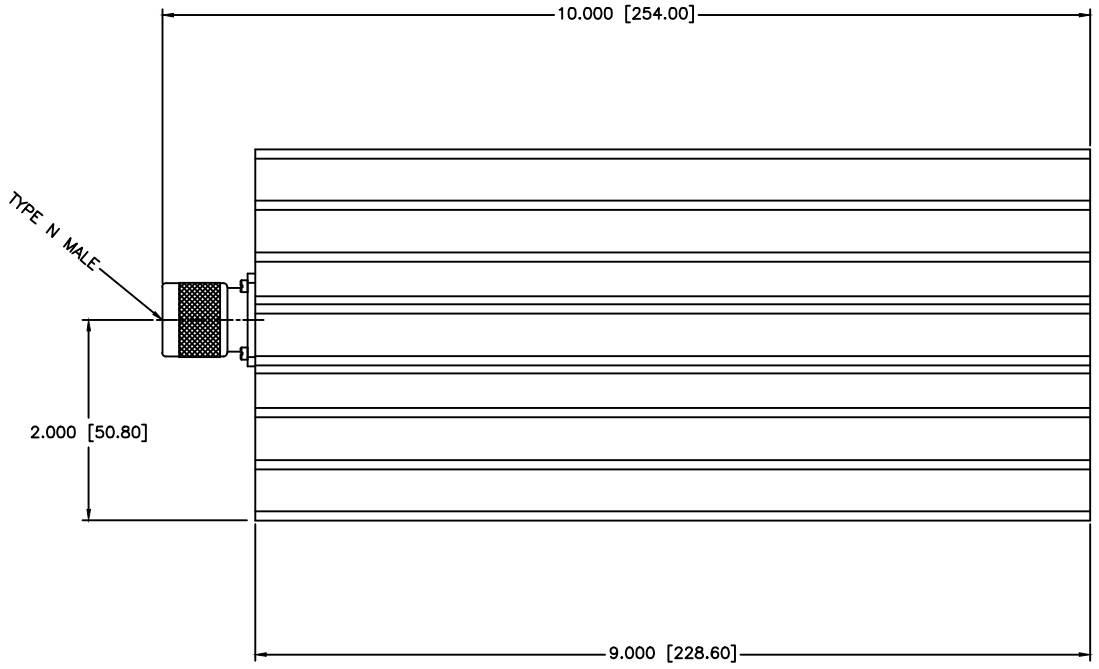
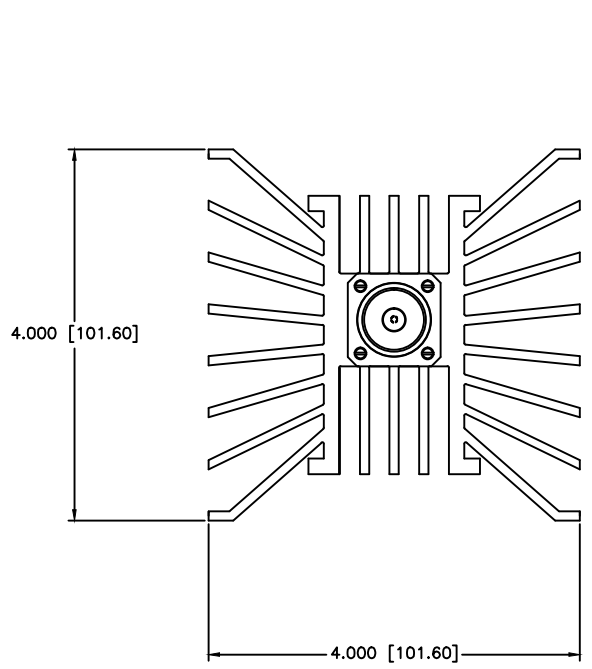


REVISIONS				
ZONE	REV	DESCRIPTION	DATE	APPROVED



SPECIFICATIONS

Frequency Range: DC-5.0 GHz
 Power Average/Peak: 250W / 2kW Max.
 VSWR:
 DC to 1.0 GHz: 1.20:1
 1.0 to 2.4 GHz: 1.35:1

MATERIAL:		MCLI MICROWAVE COMMUNICATIONS LABORATORIES INC. 7255 30TH AVE. N. SAINT PETERSBURG, FL 33710 TEL: (727) 344-6254 FAX: (727) 381-6116 http://WWW.MCLI.COM	SCALE:	N/A
			SHEET:	N/A
		UNLESS OTHERWISE SPECIFIED: TOLERANCES IN (INCHES) OR [mm] (MILLIMETERS) FRACTIONS: ± 1/64 DECIMALS: ±.01 ±.005 ANGLE: ±1/2°	DRAWING TITLE: POWER COAXIAL TERMINATION	
		PROPRIETARY NOTICE: THE INFORMATION IN THIS DRAWING IS PROPRIETARY AND SHALL NOT BE USED OR DISCLOSED WITHOUT WRITTEN PERMISSION FROM MICROWAVE COMMUNICATIONS LABORATORIES INC. (MCLI)	PART NO.: TNM-15-250	
ENG: Paiboon Luekhamhan	DATE: 11/18/2015	THIRD ANGLE PROJECTION	CAGE CODE:	SIZE: C
APPROVED: T. Nguyen	DATE: 11/18/2015		OD2L5	REV: N/A
			DO NOT SCALE THE DRAWING	