

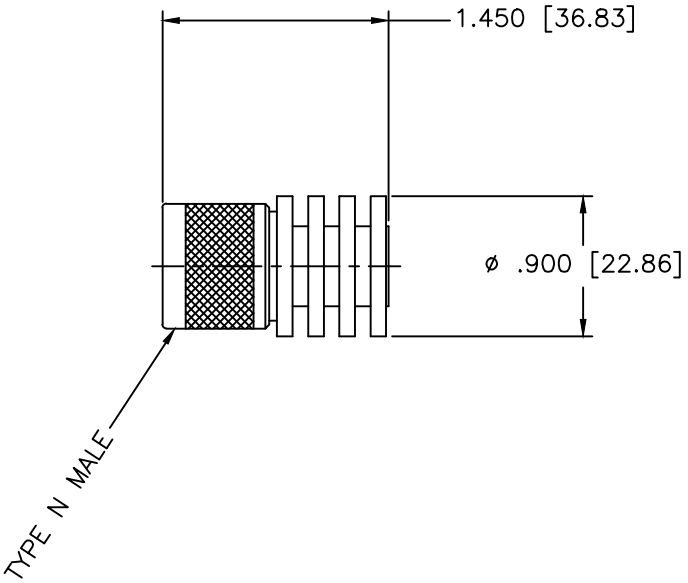
REVISIONS				
ZONE	REV	DESCRIPTION	Date	APPROVED

**SPECIFICATIONS**

FREQUENCY RANGE: DC-18 GHz  
 VSWR: 1.05+0.015 (f)  
 IMPEDANCE: 50 Ohms ±5%  
 INPUT POWER: 5 Watts @+25°C  
 Derated Linearly to 0.5 Watts @ +125°C  
 PEAK POWER: 500 Watts  
 5uSec Pulse, 0.2% duty cycle  
 OPERATING TEMP. RANGE: -5°C to +125°C

**MECHANICAL**

CONNECTOR SHELL: PASSIVATED STAINLESS STEEL  
 CENTER CONDUCTOR: GOLD PLATED BERYLLIUM COPPER  
 BODY: BLACK ANODIZED ALUMINUM



MATERIAL:			MICROWAVE COMMUNICATIONS LABORATORIES INC. 7255 30TH AVE. N. SAINT PETERSBURG, FL 33710 TEL: (727) 344-6254 FAX: (727) 381-6116 http://WWW.MCLI.COM		SCALE: N/A
			UNLESS OTHERWISE SPECIFIED: TOLERANCES IN (INCHES) OR [mm] (MILLIMETERS) FRACTIONS: ± 1/32 DECIMALS: ± .010 ANGLE: ± 1/2°		SHEET: N/A
DRAWN: Paiboon Luexhamhan		DATE: 10-19-2009		DRAWING TITLE: TYPE N MALE TERMINATION, 5 WATTS	
APPROVED: T. Nguyen		DATE: 10-19-2009		PART NO. TNM-2	
		PROPRIETARY NOTICE: THE INFORMATION IN THIS DRAWING IS PROPRIETARY AND SHALL NOT BE USED OR DISCLOSED WITHOUT WRITTEN PERMISSION FROM MICROWAVE COMMUNICATIONS LABORATORIES INC. (MCLI)		CAGE CODE: OD2L5	DWG NO. 84607
				SIZE: N/A	REV: A
				DO NOT SCALE THE DRAWING	