



2 Watts Precision WR-112 RF Load Up To 10 GHz

TECHNICAL DATA SHEET

PE6817

2 Watts Precision WR-112 RF Load Up To 10 GHz

Configuration

RF Load Design	Precision
Connector	WR-112
Heat Sink	Aluminum

Electrical Specifications

Frequency Range, GHz	7.05 to 10
Impedance, Ohms	50
Maximum VSWR	1.05:1
Maximum Input Power, Watts	2

Mechanical Specifications

Size

Length, in [mm]	5 [127]
Width/Dia., in [mm]	1.875 [47.63]
Height, in [mm]	1.875 [47.63]

Color Blue

Connector

Type WR-112

Compliance Certifications (visit www.Pasternack.com for current document)

Plotted and Other Data

Notes: Values at 25 °C, sea level

2 Watts Precision WR-112 RF Load Up To 10 GHz from Pasternack Enterprises has same day shipment for domestic and International orders. Our RF, microwave and fiber optic products maintain a 99% availability and are part of the broadest selection in the industry.

Click the following link (or enter part number in "SEARCH" on website) to obtain additional part information including price, inventory and certifications: [2 Watts Precision WR-112 RF Load Up To 10 GHz PE6817](http://www.pasternack.com/precision-waveguide-termination-frequency-range-705-1000-ghz-pe6817-p.aspx)

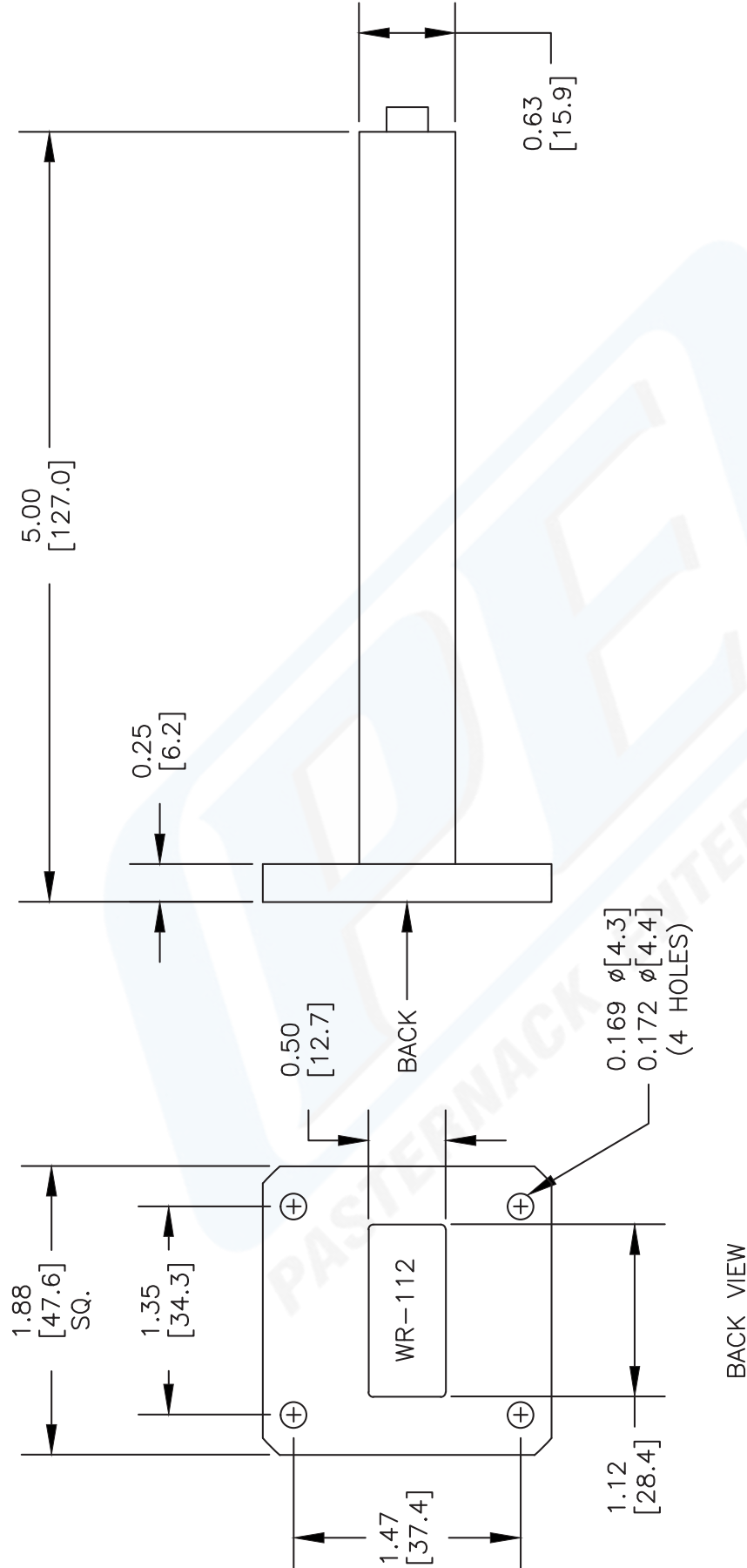
URL: <http://www.pasternack.com/precision-waveguide-termination-frequency-range-705-1000-ghz-pe6817-p.aspx>

The information contained in this document is accurate to the best of our knowledge and representative of the part described herein. It may be necessary to make modifications to the part and/or the documentation of the part, in order to implement improvements. Pasternack reserves the right to make such changes as required. Unless otherwise stated, all specifications are nominal.



PE6817 CAD Drawing

2 Watts Precision WR-112 RF Load Up To 10 GHz



NOTES:
 1. UNLESS OTHERWISE SPECIFIED ALL DIMENSIONS ARE NOMINAL.
 2. ALL SPECIFICATIONS ARE SUBJECT TO CHANGE WITHOUT NOTICE AT ANY TIME.
 3. DIMENSIONS ARE IN INCHES [mm].

DWG TITLE
PE6817

REV. A	FSCM NO. 53919	CAD FILE 022113-A	SCALE N/A	SIZE A	127
--------	----------------	-------------------	-----------	--------	-----

PE PASTERNAK®
 Pasternack Enterprises, Inc.
 P.O. Box 16759 | Irvine | CA | 92623
Phone: (949) 261-1920 | **Fax:** (949) 261-7451
Website: www.pasternack.com | **E-Mail:** sales@pasternack.com