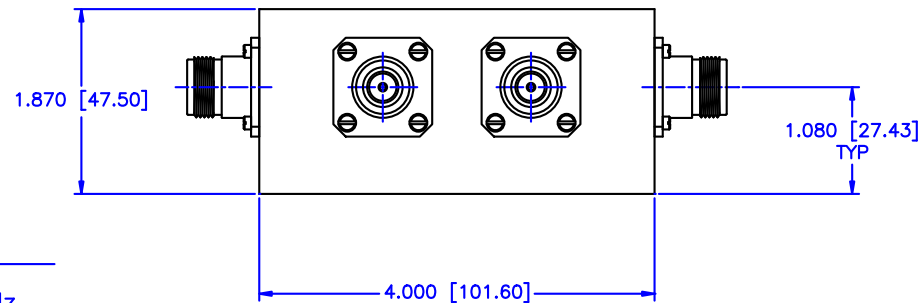
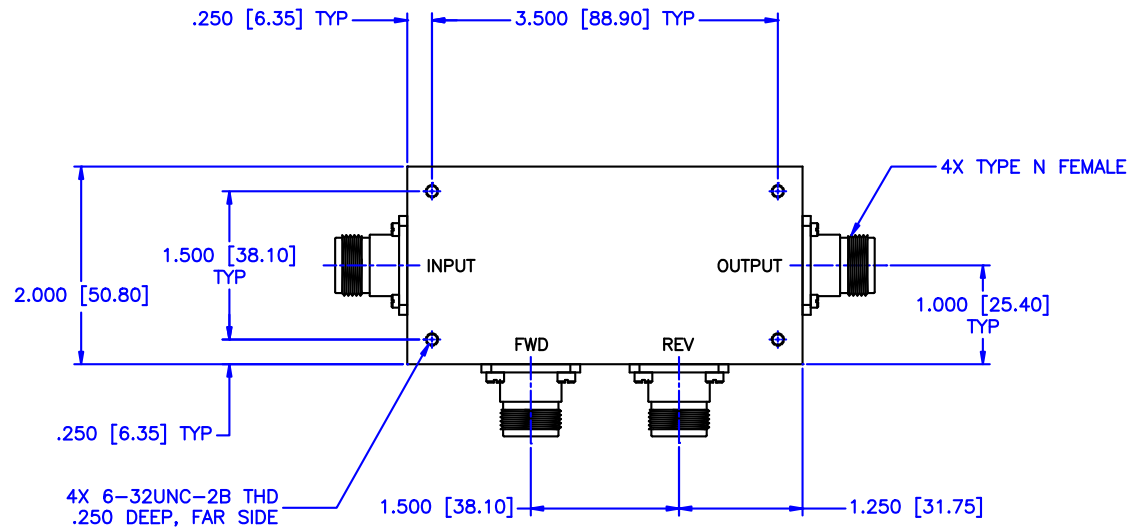


| REVISIONS |     |             |      |          |
|-----------|-----|-------------|------|----------|
| ZONE      | REV | DESCRIPTION | DATE | APPROVED |
|           |     |             |      |          |



**SPECIFICATIONS:**

FREQUENCY RANGE: 30–90 MHz  
 COUPLING: 30dB  
 FLATNESS:  $\pm 0.2$ dB  
 INSERTION LOSS: 0.15dB Max.  
 DIRECTIVITY: 25dB Min.  
 VSWR PRIME LINE: 1.10:1 Max.  
 POWER: 500 Watts CW

|                           |  |  |  |
|---------------------------|--|--|--|
| MATERIAL:                 |  | <b>MCLI</b> MICROWAVE COMMUNICATIONS LABORATORIES INC.<br>7255 30TH AVE. N. SAINT PETERSBURG, FL 33710<br>TEL: (727) 344-6254 FAX: (727) 381-6116<br>http://WWW.MCLI.COM | SCALE: N/A   |
| DRAWN: Paiboon Luekhamhan |  |  | SHEET: N/A   |
| DATE: 12-22-2010          |  | UNLESS OTHERWISE SPECIFIED:<br>TOLERANCES<br>IN (INCHES) OR [mm] (MILLIMETERS)<br>FRACTIONS: $\pm 1/64$<br>DECIMALS: $\pm 0.01 \pm 0.005$<br>ANGLE: $\pm 1/2^\circ$      | DRAWING TITLE:<br><b>HIGH POWER DUAL DIRECTIONAL COUPLER</b> |
| APPROVED: T. Nguyen       |  | DATE: 12-22-2010   | PART NO.:<br><b>HDL-53-30/500</b>                            |
| THIRD ANGLE PROJECTION    |  | CAGE CODE: OD2L5   | SIZE: C REV: N/A DWG NO.: 85171                              |
|                           |  |  | DO NOT SCALE THE DRAWING                                     |