

ALL DIMENSIONS IN INCHES UNLESS OTHERWISE SPECIFIED.  
 ALL LENGTH DIMENSIONS TOLERANCE  $\pm 0.010$ " UNLESS OTHERWISE SPECIFIED.  
 ALL DIAMETER DIMENSIONS TOLERANCE  $\pm 0.005$ " UNLESS OTHERWISE SPECIFIED.

MATERIAL: ALUMINUM 6061-T6 OR EQUIVALENT.  
 FINISH: GREY ACRYLIC PAINT.

PROPERTY OF WERBEL MICROWAVE LLC

## SPECIFICATIONS

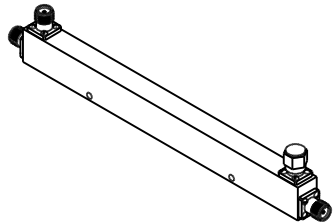
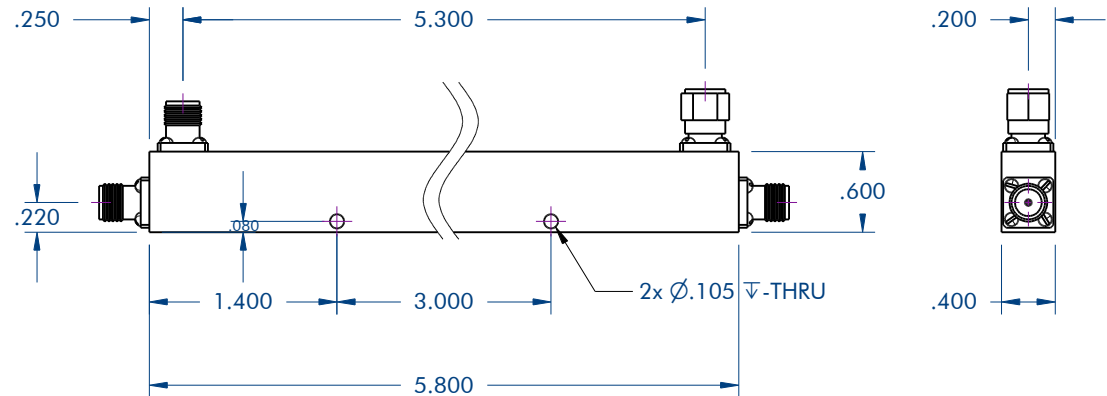
Frequency Range 300-2,700 MHz  
 Insertion Loss 1.0 dB, max.  
 Maximum Input Power 50 Watts, max.  
 VSWR (Main Line) 1.18:1, max.  
 VSWR (Coupled Port) 1.18:1, max.  
 Coupling Tolerance  $10 \pm 1.25$  dB  
 Sensitivity (Flatness)  $\pm 1.25$  dB  
 Directivity 20 dB, min.

Operating Temperature Environment 0 to +55 °C (Tested at +25°C)  
 Indoor use only.

R.F. Interface SMA-Female, 50-ohm  
 1/4-36 Thread

Passive Intermodulation <-145 dBc (by design only)

REVISIONS				
ZONE	REV	DESCRIPTION	DATE	APPROVED
	0	Initial release.	4/15/2015	E. Werbel



<b>WERBEL MICROWAVE, LLC</b> 51 Chestnut Street Livingston, N.J. 07039  Tel. (973) 900-2480 Fax. (973) 716-9430	DRAWN E. Werbel	DATE 4/15/2015					
	CHECKED						
	sales@werbelmicrowave.com  www.WerbelMicrowave.com	QA  MFG  APPROVED		<b>Directional Coupler</b> <b>300-2,700 MHz, 10-dB, SMA-Female</b>	SIZE <b>A</b>	CAGE CODE 78YZ0	DWG NO. WMDC10-0.3-2.7-S
			SCALE 1/1.5	SHEET 1 of 1			