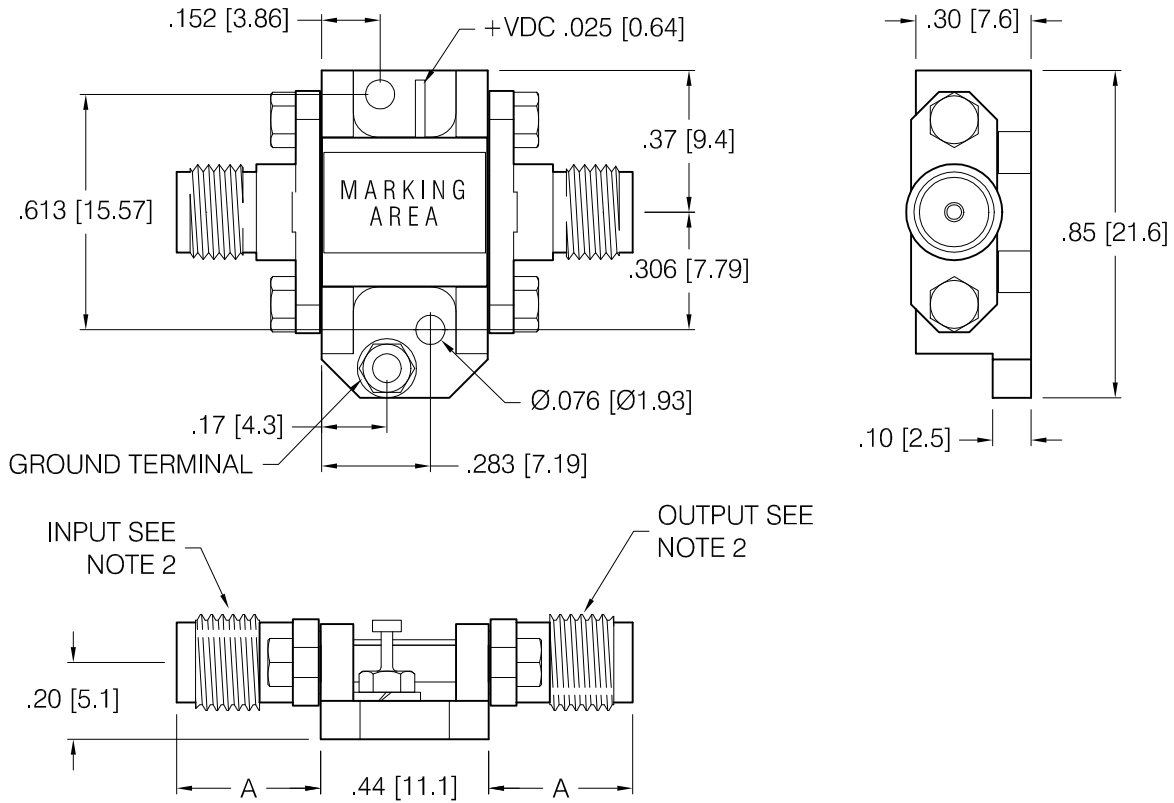


DASH NO.	APPLICATION		REVISIONS			
	NEXT ASSY	USED ON	LTR	DESCRIPTION	DATE	APPROVED
			E	Incorporate ECN 14490	12/10/09	



NOTES:


1. DIMENSIONS IN BRACKETS ARE MILLIMETER EQUIVALENTS, TOLERANCES AS FOLLOWS

- .XX = ±.01 [.XX = ± .25mm]
- .XXX = ±.005 [.XXX = ± .13mm]

2. OPTIONAL SERIES AND GENDER FOR INPUT AND OUTPUT FIELD REPLACEABLE CONNECTORS SEE TABLE

FIELD REPLACEABLE CONNECTORS

TYPE	DIM 'A' FEMALE	DIM 'A' MALE
SMA	.38[9.7]	.51[12.9]
K	.38[9.7]	.51[12.9]
V	.45[11.5]	.49 [12.4]

UNLESS OTHERWISE SPECIFIED DIMENSIONS ARE IN INCHES TOLERANCES ON	NAME	DATE	 100 Davids Drive, Hauppauge, New York 11788			
	DWN <i>R. Scherer</i>	05/17/00				
DECIMAL .X ±0.1 DECIMAL .XX ±0.01 DECIMAL .XXX ±0.005 ANGLES X° ±30'	DFT DES		JSD PACKAGE WITH GROUND TERMINAL OUTLINE			
PROJ ENGR <i>J. Decker</i>	12/10/09					
	MFG ENGR		SIZE	CODE IDENT. NO.		REV
	Q.C.		A	33592	138658	E
	CUST		SCALE	PROJECT	SHEET	1 OF 1

I:\Archive\RD\Drive\AutoCAD\138600\1386600\A38665E.DWG, 4/14/2010 9:46:08 AM, jdecker