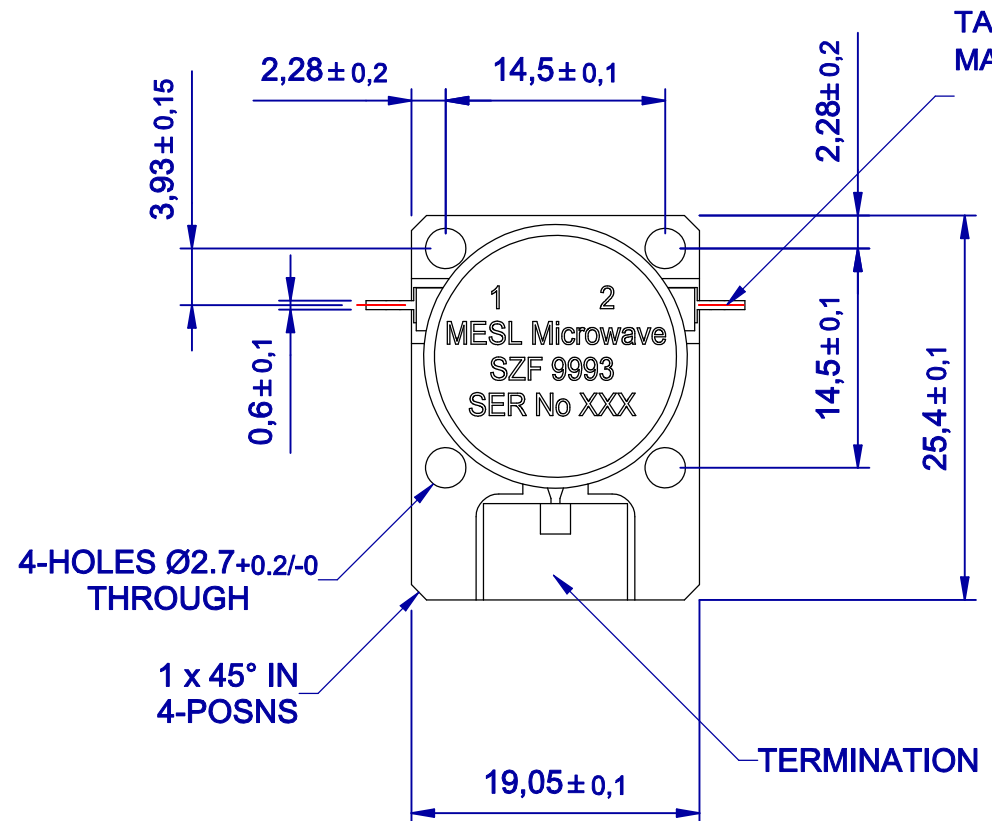
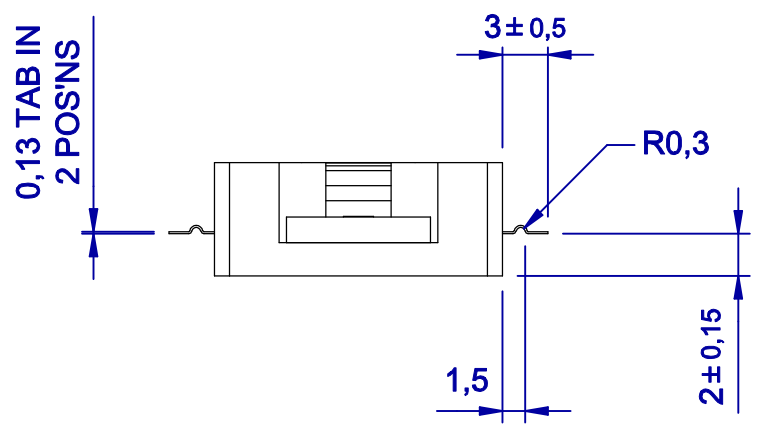
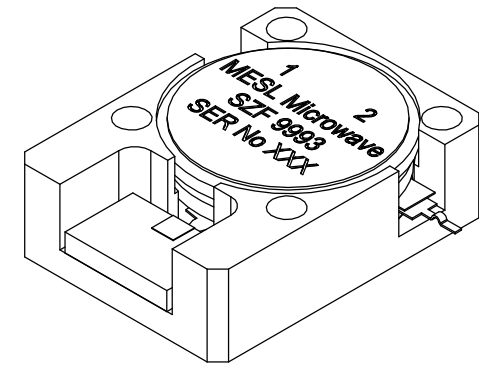
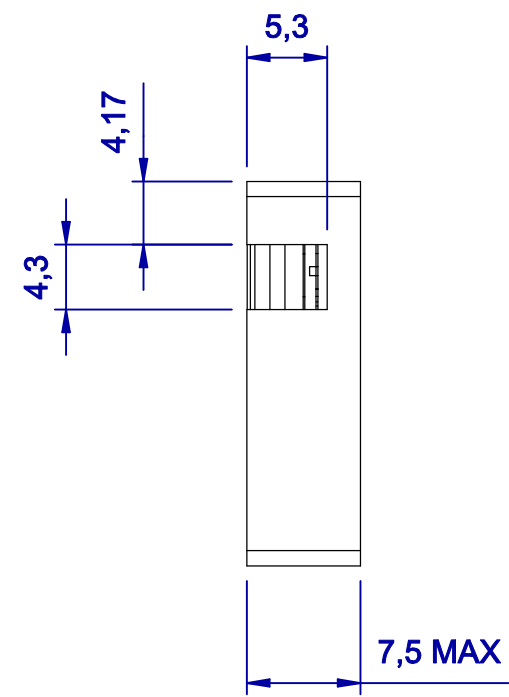


NOTES :
1. THIS UNIT IS ROHS COMPLIANT BY DESIGN.



TABS:
MAT'L : BERYLLIUM COPPER
SILVER PLATED 2/4um.
THK TO MIL-QQ-S-365D
TYPE 1 GRADE B.



ELECTRICAL SPECIFICATIONS:

FREQUENCY RANGE: 2500-2700 MHz.
 RETURN LOSS: 20dB MIN ON FULL TEMP. RANGE.
 ISOLATION: 23dB @ ROOM TEMP. / 20dB ON FULL TEMP. RANGE.
 INSERTION LOSS: 0.3dB MAX ON ROOM TEMP.
 0.4 dB MAX ON FULL TEMP. RANGE
 OPERATING TEMP. RANGE: -10°C to +85°C
 STORAGE TEMP. RANGE: -40°C to +85°C
 POWER (FORWARD - CW): 100 W.
 (FORWARD- PEAK): 800 W.
 (REVERSE-CW): 100 W. 1 min. MAX. WITH BASE PLATE TEMP OF +85°C
 INTERMODULATION : FOR TWO CW SIGNALS 34 dBm EACH, SPACED 1 MHz,
 REQUIREMENT THE INTERMODULATION PRODUCTS SHALL NOT
 EXCEED - 65dBc.

Q.A.
DATE
PROD.REL.
DATE
ENG.APP.
DATE
MECH. ENG.
DATE
DRAWN TOM
DATE 27.07.07

LIGHTLY REMOVE ALL BURRS AND SHARP EDGES U.O.S.

ORIGINAL SCALE 2/1 DO NOT SCALE PRINT	MATERIAL	SPECIFICATION	
DIMENSION IN mm	FINISH BODY : BRIGHT NICKEL PLATED.	SPECIFICATION	
CERTIFIED AT ISSUE			

REF	DESCRIPTION	No OFF	CHAR.	POS.TOL.	ISSUE	DATE	MOD NUMBER
RED (Development Only)							A 3
GENERAL TOLERANCE UNLESS OTHERWISE STATED		CONTRACTOR			SECURITY CLASSIFICATION		
ISO 2768-fH Symmetry ± 0,05		MESL Microwave Ltd			CONTRACTORS DRAWING NUMBER 9993-000-OL		
FINISH TO BE		TITLE			SERVICE DRAWING NUMBER		SHEET
UNLESS OTHERWISE STATED		1.6			OUTLINE FOR 2500-2700 MHz PACK DROP-IN ISOLATOR TYPE No SZF 9993		No 1 OFF 1

A
B
C
D
E