

SMA MALE 50 OHM TO SMA FEMALE 75 OHM IMPEDANCE MATCHING PAD

SI1580

SPECIFICATIONS

ELECTRICAL:

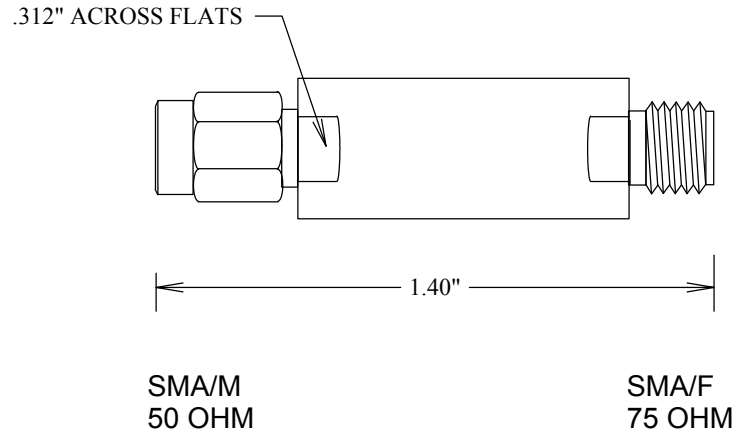
FREQUENCY: 0-1 GHZ
 IMPEDANCE: SMA/M: 50 OHMS
 SMA/F: 75 OHMS
 VSWR: 1.20:1 MAX
 INSERTION LOSS: 5.7 dB NOMINAL
 INPUT POWER: 1 WATT AVERAGE

ENVIRONMENTAL:

OPERATING TEMPERATURE RANGE: -55°C TO +100°C

MECHANICAL:

ROHS COMPLIANT



FAIRVIEW MICROWAVE INC.

ALLEN, TX 75013 WWW.FAIRVIEWMICROWAVE.COM

TITLE

**SMA MALE 50 OHM TO SMA FEMALE
75 OHM IMPEDANCE MATCHING PAD**

SIZE	CAGE CODE	DWG NO	REV
A	3FKR5	SI1580	
SCALE	SHEET		