



Precision SMA Male to SMA Female  
Adapter Max. Freq. 26.5 GHZ.

TECHNICAL DATA SHEET

PE9506

**Configuration**

Connector 1	SMA Male
Impedance 1	50 Ohms
Connector 2	SMA Female
Impedance 2	50 Ohms
Adapter Design	Precision
Body Style	Straight

**Electrical Specifications**

Frequency Range	DC to 26.5 GHz
Maximum VSWR	1.2:1

**Mechanical Specifications**

**Size**

Length, in [mm]	0.72 [18.29]
Width/Dia., in [mm]	0.312 [7.92]

**Connector 1**

Type	SMA Male
Inner Conductor Material and Plating	Beryllium Copper, Gold
Inner Conductor Plating Specification	MIL-G-45204
Coupling Nut Material and Plating	Passivated Stainless Steel
Coupling Nut Plating Specification	ASTM A380
Hex Size, in.	5/16
Torque, in-lbs [Nm]	8 [0.9]
Body Material and Plating	Passivated Stainless Steel
Body Plating Specification	ASTM A380
Dielectric Type	PTFE

**Connector 2**

Type	SMA Female
Inner Conductor Material and Plating	Beryllium Copper, Gold
Inner Conductor Plating Specification	MIL-G-45204
Body Material and Plating	Passivated Stainless Steel
Body Plating Specification	ASTM A380
Dielectric Type	PTFE

**Environmental Specifications**

**Temperature**

Operating Range	-55 to +100 deg C
-----------------	-------------------

**Compliance Certifications** (visit [www.Pasternack.com](http://www.Pasternack.com) for current document)

RoHS Compliant	
REACH Compliant	06/18/2012

Click the following link (or enter part number in "SEARCH" on website) to obtain additional part information including price, inventory and certifications: [Precision SMA Male to SMA Female Adapter Max. Freq. 26.5 GHZ. PE9506](#)



Precision SMA Male to SMA Female  
Adapter Max. Freq. 26.5 GHZ.

TECHNICAL DATA SHEET

PE9506

**Plotted and Other Data**

Notes:

- Values at +25 °C, sea level

Precision SMA Male to SMA Female Adapter Max. Freq. 26.5 GHZ. from Pasternack Enterprises has same day shipment for domestic and International orders. Our RF, microwave and millimeter wave products maintain a 99% availability and are part of the broadest selection in the industry.

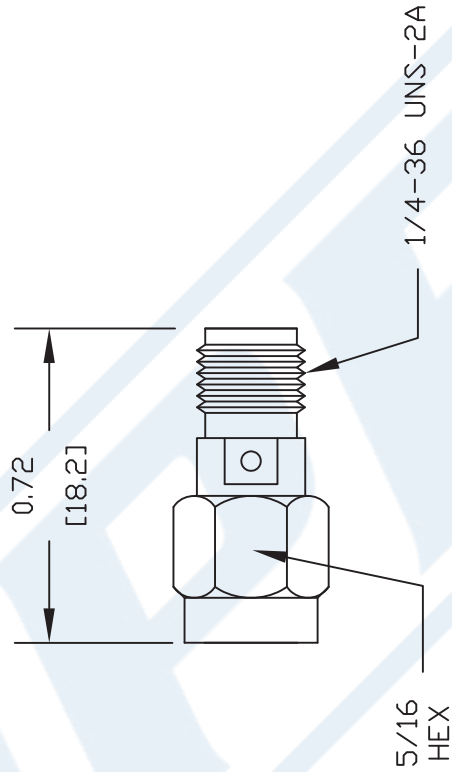
Click the following link (or enter part number in "SEARCH" on website) to obtain additional part information including price, inventory and certifications: [Precision SMA Male to SMA Female Adapter Max. Freq. 26.5 GHZ. PE9506](#)

URL: <http://www.pasternack.com/sma-male-sma-female-straight-adapter-pe9506-p.aspx>

The information contained in this document is accurate to the best of our knowledge and representative of the part described herein. It may be necessary to make modifications to the part and/or the documentation of the part, in order to implement improvements. Pasternack reserves the right to make such changes as required. Unless otherwise stated, all specifications are nominal. Pasternack does not make any representation or warranty regarding the suitability of the part described herein for any particular purpose, and Pasternack does not assume any liability arising out of the use of any part or documentation.

# PE9506 CAD Drawing

Precision SMA Male to SMA Female Adapter Max. Freq. 26.5 GHZ.



DWG TITLE

**PE9506**

NOTES:  
1. UNLESS OTHERWISE SPECIFIED ALL DIMENSIONS ARE NOMINAL.  
2. ALL SPECIFICATIONS ARE SUBJECT TO CHANGE WITHOUT NOTICE AT ANY TIME.  
3. DIMENSIONS ARE IN INCHES [mm].

REV. B

FSCM NO. 53919

CAD FILE 010711

SCALE N/A

SIZE A

127



Pasternack Enterprises, Inc.  
P.O. Box 16759 | Irvine | CA | 92623  
Phone: (949) 261-1920 | Fax: (949) 261-7451  
Website: [www.pasternack.com](http://www.pasternack.com) | E-Mail: [sales@pasternack.com](mailto:sales@pasternack.com)