

40GHz Power Dividers

- 1.0 - 40.0GHz
- High Isolation
- Low Loss
- Low VSWR
- RoHS Compliant

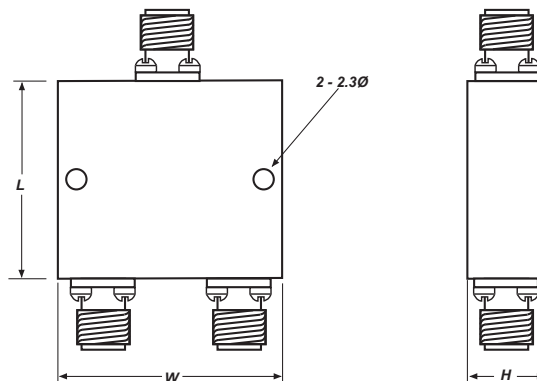


General Specifications

Impedance	50 ohms
Operating Temperature	-55 to +85C
Connectors	2.92mm Female Stainless Steel
Housing	Aluminium
Body Finish	Paint

Model No.	No. of Ways	Frequency Range (GHz)	Isolation (dB) min.	Insertion Loss (dB) max.	Input VSWR max.	Output VSWR max.	Phase Bal. (+/- deg) max.	Amp. Bal. (+/- dB) max.	Input Power (Watts) CW	Size (LxWxH) mm
AKD-010400-2	2	1.0-40.0	15	2.2	2.0	1.7	8	0.50	20	78 x 26 x 10
AKD-020400-2	2	2.0-40.0	16	1.8	1.8	1.5	6	0.40	20	42 x 26 x 10
AKD-020400-4	4	2.0-40.0	16	3.0	2.0	1.6	10	0.50	20	46 x 52 x 10
AKD-060400-2	2	6.0-40.0	16	1.3	1.7	1.5	5	0.40	10	19 x 26 x 10
AKD-060400-4	4	6.0-40.0	15	2.0	2.0	1.6	8	0.40	20	35 x 52 x 10
AKD-060400-8	8	6.0-40.0	15	2.5	2.1	1.8	10	0.50	20	40 x 104 x 10
AKD-100400-2	2	10.0-40.0	15	1.3	1.7	1.6	5	0.40	10	19 x 26 x 10
AKD-100400-4	4	10.0-40.0	16	2.0	1.8	1.6	8	0.40	20	35 x 52 x 10
AKD-180400-2	2	18.0-40.0	16	1.6	1.6	1.6	4	0.40	20	19 x 26 x 10
AKD-180400-4	4	18.0-40.0	16	1.6	1.8	1.6	6	0.40	10	25 x 52 x 10

For optimised or other frequency ranges and number of ways please consult factory.



Outline is a typical illustration only, for detailed outlines please consult factory

We reserve the right to change standard product specifications without notice but will be pleased to consider control drawings for quotation.

Passive Components