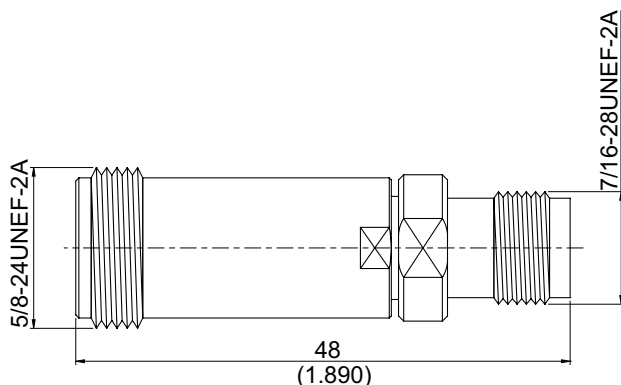


ADS-N8T8-18

**Stainless N Jack To TNC Jack
Up To 18 GHz**

50Ω



Typical VSWR

| Part Number | 1~5 Ghz | 6~17 Ghz | 18Ghz |
|-------------|---------|----------|-------|
| ADS-N8T8-18 | 1.08 | 1.14 | 1.11 |

| Parts | Material | Plating (Micro-inch) |
|-------------|------------------|---|
| Holder | Brass | Tin-Zinc-Copper-Alloy 100 Over Copper 50 |
| Contact Pin | Beryllium Copper | Gold 4 Over Nickel-Phosphorus Alloy 80 Over Copper 20 |
| Insulator | Teflon | |
| Body | Stainless Steel | Passivated |

Weight:

This part number complies with RoHS.

Notice: JYEBAO reserves the right to make modifications deemed appropriate.