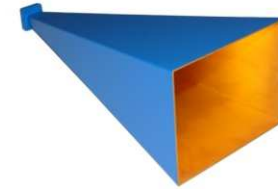
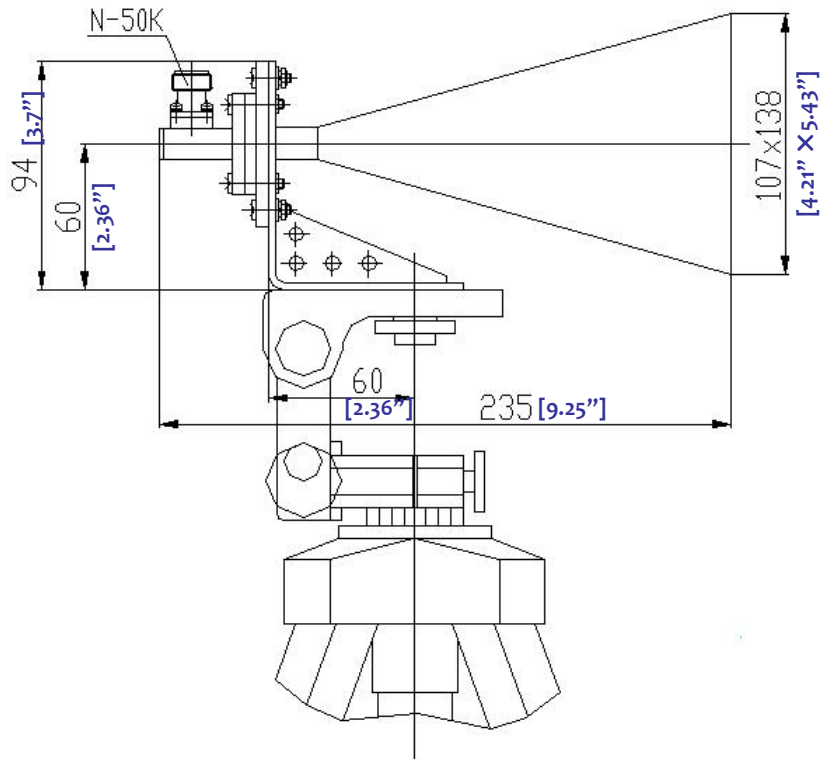



WR90 WAVEGUIDE HORN ANTENNA – RW90HORN20D



3.0 Electrical Specifications		
3.1	Frequency Range	8.2-12.4GHz
3.2	Gain	20dB
3.2	VSWR	1.5:1 (max)

1.0 Mechanical Specifications		
1.1	Waveguide type	Rectangular Waveguide WR90
1.2	Flange type	CPRF, COVER
1.3	Flange Holes	Through
1.4	Basis-material	Brass
1.5	Internal Body Finish	Silver Plated chromate or conversion
1.6	External Body Finish	Body painted with gray/black epoxy enamel

2.0 Environment specifications		
2.1	Operation Temp.	-40°C~+70°C
2.2	Storage Temp.	-50°C~+125°C
2.3	Altitude	45000 ft
2.4	Vibration	10g rms (15 degree 2KHz)
2.5	Humidity	100% RH at 35c, 95%RH at 40 deg c
2.6	Shock	20G for 11msc

PAGE 1 OF 1		DATE	Jun 21 st 2006
<p>PROPRIETARY INFORMATION THE INFORMATION CONTAINED IN THIS DOCUMENT IS THE PROPERTY OF RF-LAMBDA EXCEPT AS SPECIFICALLY AUTHORIZED IN WRITINGS BY RF-LAMBDA. THE HOLDER OF THIS DOCUMENT SHALL KEEP ALL INFORMATION CONTAINED HEREIN CONFIDENTIAL AND SHALL PROTECT SAME IN THE WHOLE OR IN PART FROM DISCLOSURE AND DISSEMINATION OF ALL THIRD PARTIES AND SHALL USE SAME FOR OPERATING AND MAINTENANCE PURPOSES ONLY</p>  <p>RW90HORN20D WAVEGUIDE HORN ANTENNA</p> <p>www.rflambda.com</p>		DESIGN	RFPC
		RF-LAMBDA	RFPC
		CAD MODEL REVISION	11
		ASSEMBLY REVISION	V55D5
		ASSEMBLY NAME	RFLVR05
		DRAWING NUMBER	D05:1
RF-LAMBDA		SIZE	LT
		SHEETS	1 OF 1