

Passband 1: 2300 to 2380 MHz

Diplexer (BP/BP)

Passband 1 Isolation: 50 dB

Passband 2: 2500 to 2580 MHz

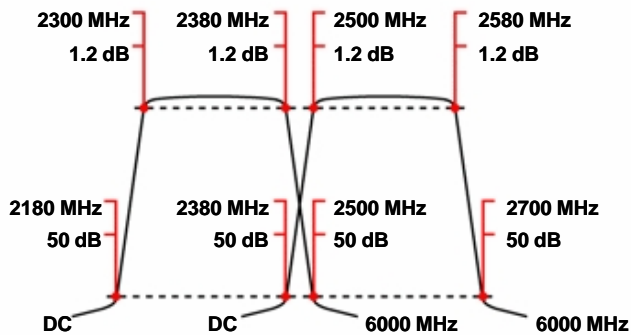
WDCJV5+5-2300-2380/2500-2580-50

Passband 2 Isolation: 50 dB

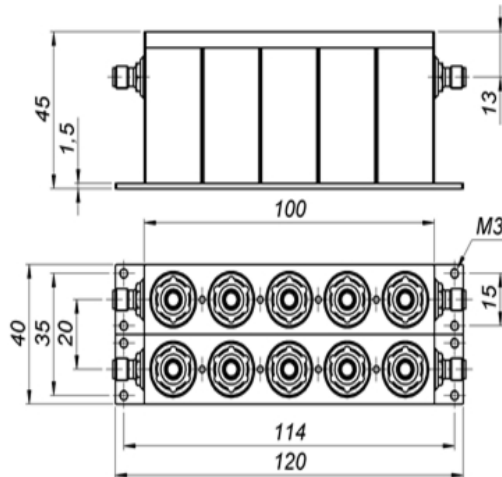
Specifications

	Band 1 (Bandpass)	Band 2 (Bandpass)
Passbands:	2300 to 2380 MHz	2500 to 2580 MHz
Passband Insertion Loss:	1.2 dB max.	1.2 dB max.
Passband Return Loss:	14 dB min.	14 dB min.
Stopbands:	DC-2180 & 2500-6000 MHz	DC-2380 & 2700-6000 MHz
Stopband Attenuation:	50 & 50 dB min.	50 & 50 dB min.
Operating Temperature:	15 °C to 45 °C	
Power Handling:	max. 100 W CW into a 2:1 VSWR (<i>Please see our warranty in this regard</i>)	
Dimensions (L x W x H):	100 x 40 x 45 mm (plus connectors and flanges)	
Approx. Weight:	0.7 kg	
Mounting Provision:	7.5 mm flanges on both ends with M3 threaded holes	
Connector Common:	- Please choose -	
Connector Band 1:	- Please choose -	
Connector Band 2:	- Please choose -	

Typical Performance



5+5 Section Cavity Design



©2015 Wainwright Instruments. All rights reserved.

Euro Prices

(USD Prices will be quoted for US-based customers only)

1 - 4 pcs:	€ 1252
5 - 9 pcs:	€ 1158
10 - 24 pcs:	€ 1071

Delivery Terms

FCA Andechs (free carrier) according to **Incoterms 2010**
 In Deutschland liefern wir frachtfrei gemäß CPT **Incoterms 2010** (unversichert).
 Regarding payment terms and warranty see [Terms and Conditions](#).
Delivery time: normally 3 to 4 weeks - depending on quantity ordered and on our work load.

Customer is responsible for observing all applicable export laws in regard to filter application and location of end user



Wainwright Instruments GmbH
 www.wainwright-filters.com

Tel: +49 8152 918230
 Fax: +49 8152 918255
 info@wainwright-filters.com