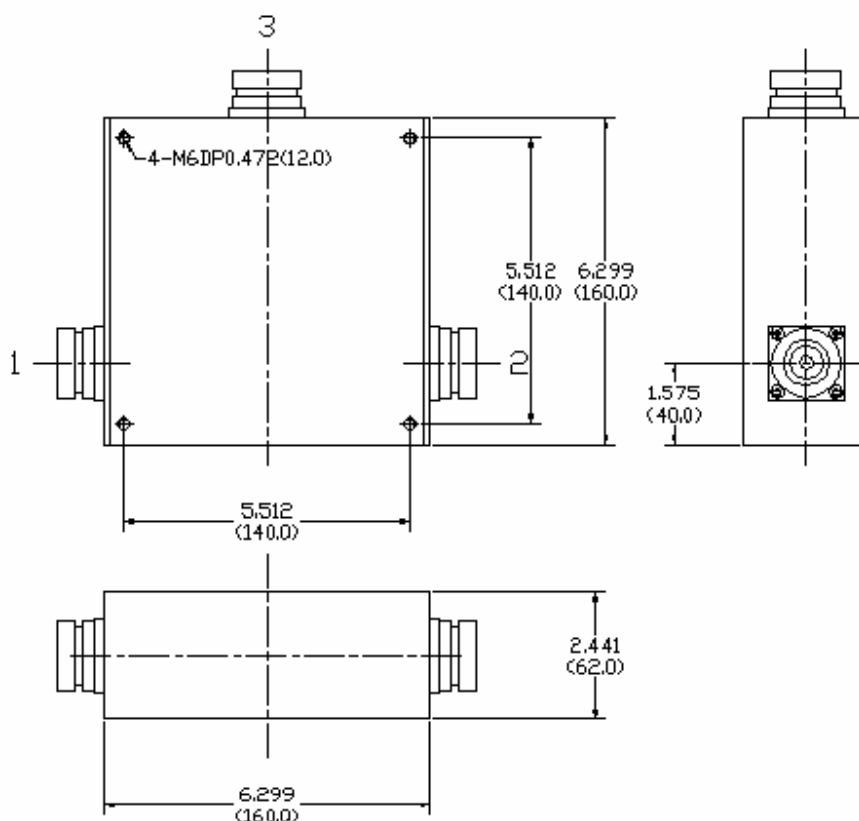


Key Features:

- Center frequency range: 120~180MHz, up to 7% bandwidth
- DIN 7/16 connectors,
- High performance, low insertion loss, high isolation, good VSWR
- High power handling capability, 1000Watt CW power
- External heat sink or forced air cooling required for full power operation

Electrical Specifications

Part No.	Freq Range MHz	Insertion Loss, dB	Reverse Isolation, dB	VSWR	Forward Power, Watts	Temp. Range, °C
F2505-0134-07	129~139	0.5 Max	≥ 20	≤ 1.25	1000	-25 ~ +55
F2505-0150-05	146~154	0.5 Max	≥ 20	≤ 1.25	1000	-25 ~ +55

Mechanical Structure:

Note: All units are in inches (mm).

Ordering Information:

F2505-XXXX-XX
 ↓ ↓
 Bandwidth, XX%,
 ↓
 Frequency 0XXX MHz,