



Precision N Female to N Female Adapter With Body Flats

TECHNICAL DATA SHEET

PE91141

**Configuration**

Connector 1	N Female
Impedance 1	50 Ohms
Connector 2	N Female
Impedance 2	50 Ohms
Adapter Design	Precision
Body Style	Straight

**Electrical Specifications**

Frequency Range, GHz	DC to 18
Maximum VSWR	1.2:1

**Mechanical Specifications**

**Temperature**

Operating Range, deg C	-45 to +125
------------------------	-------------

**Size**

Length, in [mm]	1.6 [40.64]
-----------------	-------------

**Connector 1**

Type	N Female
Inner Conductor Material and Plating	Beryllium Copper, Gold
Outer Conductor Material and Plating	Passivated Stainless Steel
Body Material and Plating	Passivated Stainless Steel
Dielectric Type	PTFE

**Connector 2**

Type	N Female
Inner Conductor Material and Plating	Beryllium Copper, Gold
Outer Conductor Material and Plating	Passivated Stainless Steel
Body Material and Plating	Passivated Stainless Steel
Dielectric Type	PTFE

**Compliance Certifications** (visit [www.Pasternack.com](http://www.Pasternack.com) for current document)

RoHS Compliant	Yes
----------------	-----

Click the following link (or enter part number in "SEARCH" on website) to obtain additional part information including price, inventory and certifications: [Precision N Female to N Female Adapter With Body Flats PE91141](#)

The information contained in this document is accurate to the best of our knowledge and representative of the part described herein. It may be necessary to make modifications to the part and/or the documentation of the part, in order to implement improvements. Pasternack reserves the right to make such changes as required. Unless otherwise stated, all specifications are nominal.





## Precision N Female to N Female Adapter With Body Flats

### TECHNICAL DATA SHEET

PE91141

#### Plotted and Other Data

Notes:

Values at 25 °C, sea level

Precision N Female to N Female Adapter With Body Flats from Pasternack Enterprises has same day shipment for domestic and International orders. Our RF, microwave and fiber optic products maintain a 99% availability and are part of the broadest selection in the industry.

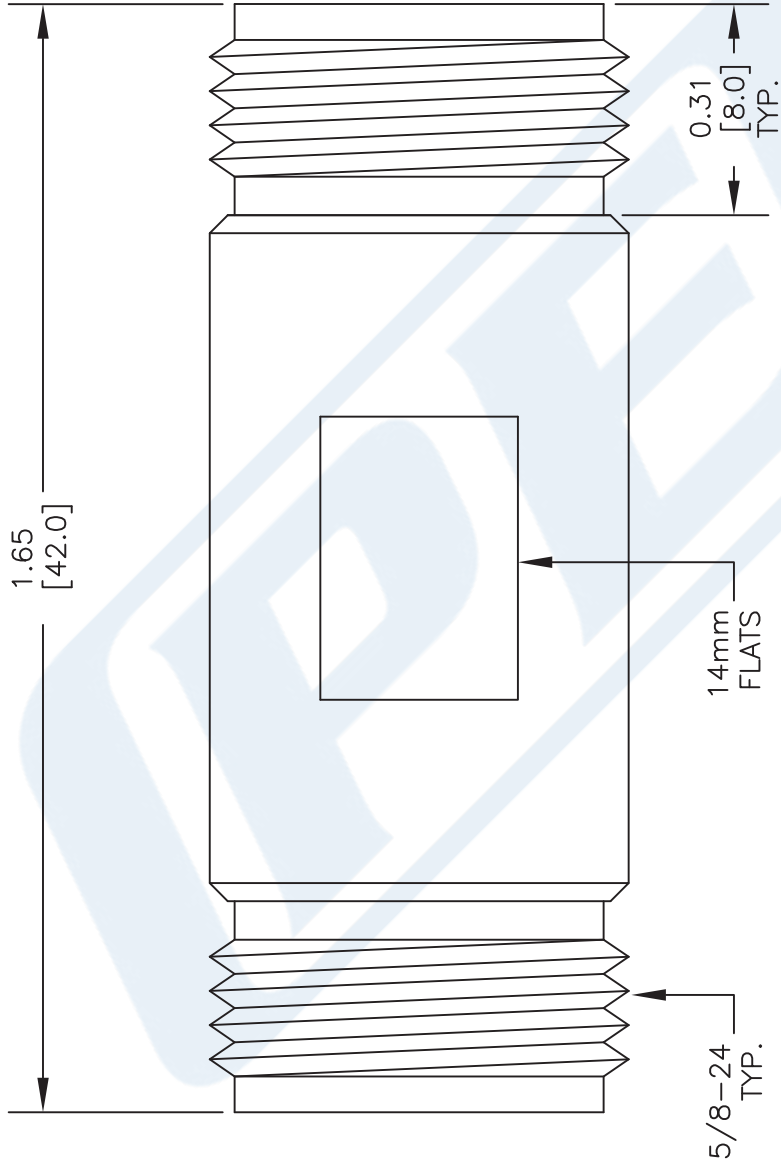
Click the following link (or enter part number in "SEARCH" on website) to obtain additional part information including price, inventory and certifications: [Precision N Female to N Female Adapter With Body Flats PE91141](#)

URL: <http://www.pasternack.com/n-female-n-female-straight-adapter-pe91141-p.aspx>

The information contained in this document is accurate to the best of our knowledge and representative of the part described herein. It may be necessary to make modifications to the part and/or the documentation of the part, in order to implement improvements. Pasternack reserves the right to make such changes as required. Unless otherwise stated, all specifications are nominal.

# PE91141 CAD Drawing

Precision N Female to N Female Adapter With Body Flats



DWG TITLE

**PE91141**

NOTES:  
1. UNLESS OTHERWISE SPECIFIED ALL DIMENSIONS ARE NOMINAL.  
2. ALL SPECIFICATIONS ARE SUBJECT TO CHANGE WITHOUT NOTICE AT ANY TIME.  
3. DIMENSIONS ARE IN INCHES [mm].

FSCM NO. 53919

CAD FILE 011314

SCALE N/A

SIZE A

150



Pasternack Enterprises, Inc.  
P.O. Box 16759 | Irvine | CA | 92623  
Phone: (949) 261-1920 | Fax: (949) 261-7451  
Website: [www.pasternack.com](http://www.pasternack.com) | E-Mail: [sales@pasternack.com](mailto:sales@pasternack.com)