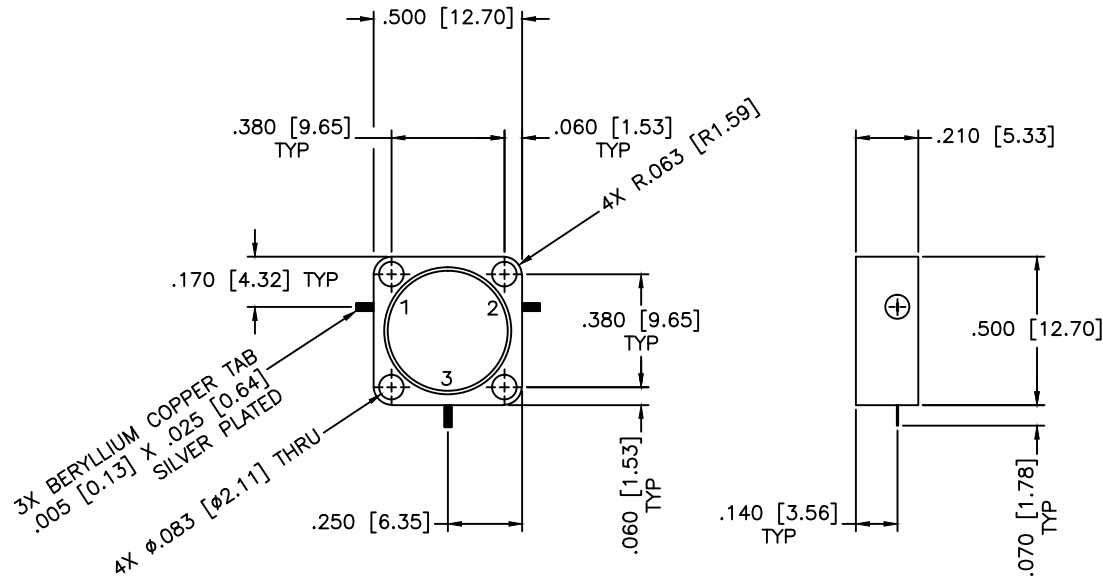


REVISIONS				
ZONE	REV	DESCRIPTION	Date	APPROVED



**SPECIFICATIONS**

Frequency Range: 10.95–12.75 GHz  
 Insertion Loss: 0.5dB Max.  
 Isolation: 20dB Min.  
 VSWR: 1.25:1 Max.  
 Power: 25W Avg. 200W Peak  
 Operating Temperature: -40°C to +85°C

MATERIAL:		<b>MCLI</b> MICROWAVE COMMUNICATIONS LABORATORIES INC. 7255 30TH AVE. N. SAINT PETERSBURG, FL 33710 TEL: (727) 344-6254 FAX: (727) 381-6116 <a href="http://WWW.MCLI.COM">http://WWW.MCLI.COM</a>	SCALE:	N/A
			SHEET:	N/A
UNLESS OTHERWISE SPECIFIED: TOLERANCES IN (INCHES) OR [mm] (MILLIMETERS) FRACTIONS: ± 1/64 DECIMALS: ±.01 ±.005 ANGLE: ±1/2°		DRAWING TITLE: <b>DROP-IN CIRCULATOR</b>		
DRAWN: Paiboon Luekhamhan		PART NO. <b>MC-35</b>		
DATE: 06-21-2010		CAGE CODE:		
APPROVED: T. Nguyen		DATE: 06-21-2010		DWG NO. 84958
THIRD ANGLE PROJECTION		SIZE:	N/A	REV:
		DO NOT SCALE THE DRAWING		