

# N-N F/F 3GHZ BULKHEAD ADAPTER

SM8315

## SPECIFICATIONS

### ELECTRICAL

FREQUENCY: 0-3 GHZ  
 IMPEDANCE: 50 OHMS  
 VSWR: 1.2:1 MAX

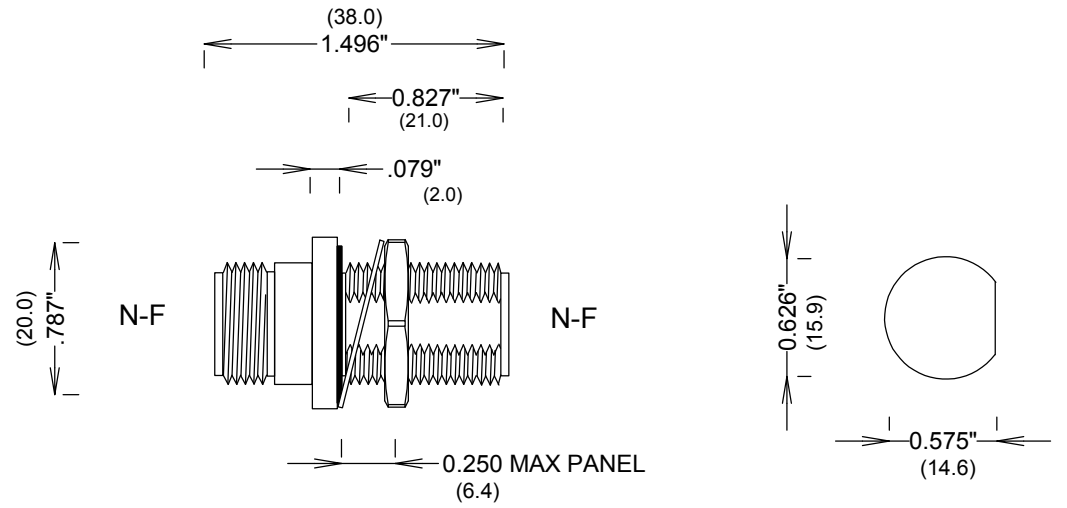
### MECHANICAL

MATERIALS BODY: NICKEL PLATED BRASS  
 MATERIALS CONTACTS BeCu  
 CONTACT PLATING: Au FLASH  
 INSULATION: TEFLON  
 INTERFACE: MIL-STD-348A

COMMERCIAL GRADE

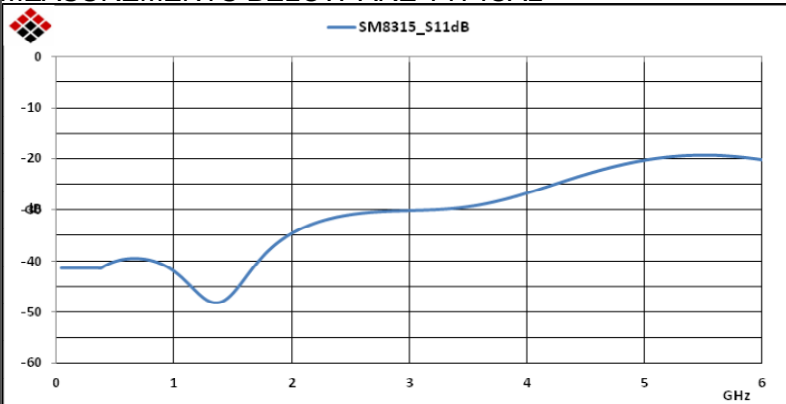
ROHS COMPLIANT

OP TEMP: -45-100° C



RECOMMENDED  
 PANEL LAYOUT

MEASUREMENTS BELOW ARE TYPICAL



ALL DIMENSIONS IN inches(MM) Typical

**FAIRVIEW MICROWAVE INC.**

ALLEN, TX 75013 WWW.FAIRVIEWMICROWAVE.COM

TITLE

**N-N F/F 3GHZ BULKHEAD ADAPTER**

SIZE <b>A</b>	CAGE CODE <b>3FKR5</b>	DWG NO <b>SM8315</b>	REV <b>A</b>
------------------	---------------------------	-------------------------	-----------------

SCALE

SHEET