



## HN Tee Adapter Female-Male-Female

### TECHNICAL DATA SHEET

PE9575

#### HN Tee Adapter Female-Male-Female

##### Configuration

Connector 1	HN Female
Impedance 1	50 Ohms
Connector 2	HN Male
Impedance 2	50 Ohms
Connector 3	HN Female
Adapter Design	Standard
Body Style	Tee

##### Mechanical Specifications

###### Size

Length, in [mm]	1.94 [49.28]
Width/Dia., in [mm]	0.9 [22.86]
Height, in [mm]	1.7 [43.18]

###### Connector 1

Type	HN Female
Inner Conductor Material and Plating	Silver
Body Material and Plating	Brass, Nickel
Dielectric Type	PTFE

###### Connector 2

Type	HN Male
Inner Conductor Material and Plating	Silver
Coupling Nut Material and Plating	Brass, Nickel
Body Material and Plating	Brass, Nickel
Dielectric Type	PTFE

###### Connector 3

Type	HN Female
Inner Conductor Material and Plating	Silver
Body Material and Plating	Brass, Nickel
Dielectric Type	PTFE

##### Compliance Certifications (visit [www.Pasternack.com](http://www.Pasternack.com) for current document)

RoHS Compliant	Yes
----------------	-----

Click the following link (or enter part number in "SEARCH" on website) to obtain additional part information including price, inventory and certifications: [HN Tee Adapter Female-Male-Female PE9575](#)

The information contained in this document is accurate to the best of our knowledge and representative of the part described herein. It may be necessary to make modifications to the part and/or the documentation of the part, in order to implement improvements. Pasternack reserves the right to make such changes as required. Unless otherwise stated, all specifications are nominal.

HN Tee Adapter Female-Male-Female



TECHNICAL DATA SHEET

PE9575

**Plotted and Other Data**

Notes:

Values at 25 °C, sea level

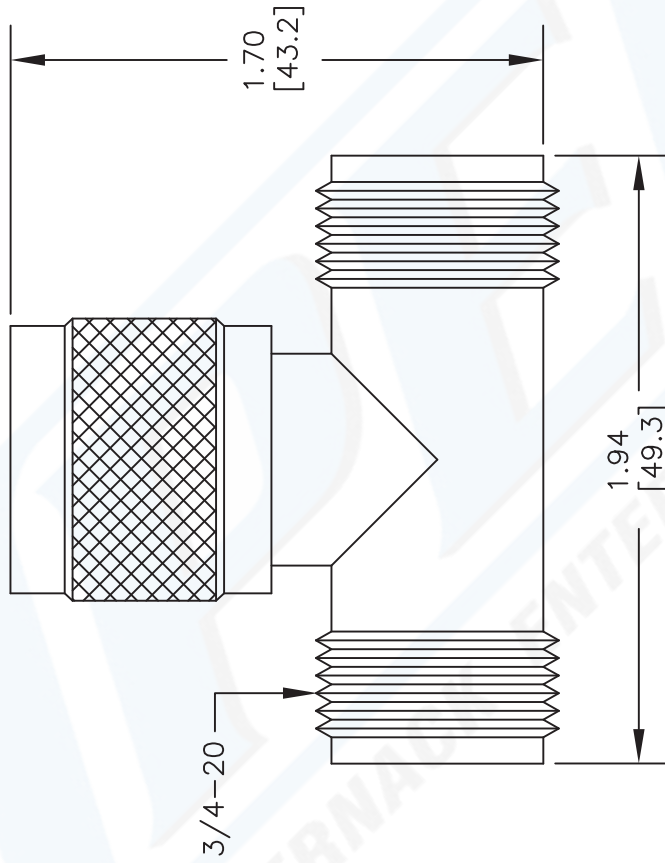
URL: <http://www.pasternack.com/hn-female-male-female-tee-adapter-pe9575-p.aspx>

HN Tee Adapter Female-Male-Female from Pasternack Enterprises has same day shipment for domestic and International orders. Our RF, microwave and fiber optic products maintain a 99% availability and are part of the broadest selection in the industry.

The information contained in this document is accurate to the best of our knowledge and representative of the part described herein. It may be necessary to make modifications to the part and/or the documentation of the part, in order to implement improvements. Pasternack reserves the right to make such changes as required. Unless otherwise stated, all specifications are nominal.

# PE9575 CAD Drawing

## HN Tee Adapter Female-Male-Female



NOTES:  
 1. UNLESS OTHERWISE SPECIFIED ALL DIMENSIONS ARE NOMINAL.  
 2. ALL SPECIFICATIONS ARE SUBJECT TO CHANGE WITHOUT NOTICE AT ANY TIME.  
 3. DIMENSIONS ARE IN INCHES [mm].

DWG TITLE  
**PE9575**

**PASTERNAK ENTERPRISES, INC.**  
 P.O. BOX 16759, IRVINE, CA 92623  
 PHONE (949) 261-1920 FAX (949) 261-7451  
 WEB ADDRESS: [www.pasternack.com](http://www.pasternack.com)  
 E-MAIL ADDRESS: [sales@pasternack.com](mailto:sales@pasternack.com)  
**COAXIAL & FIBER OPTICS**



2233

SIZE A

SCALE N/A

CAD FILE 081012

FSCM NO. 53919

REV. A