



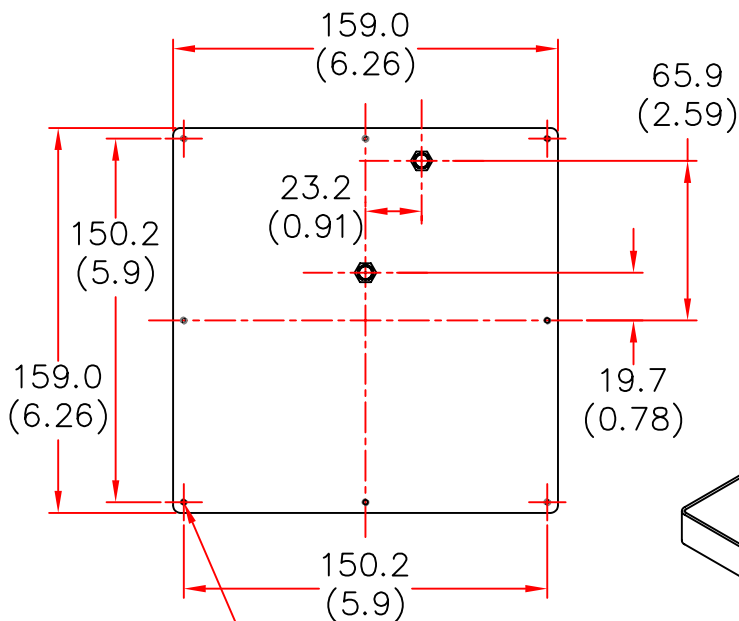
# EUROPEAN ANTENNAS



## FLAT PANEL ANTENNA

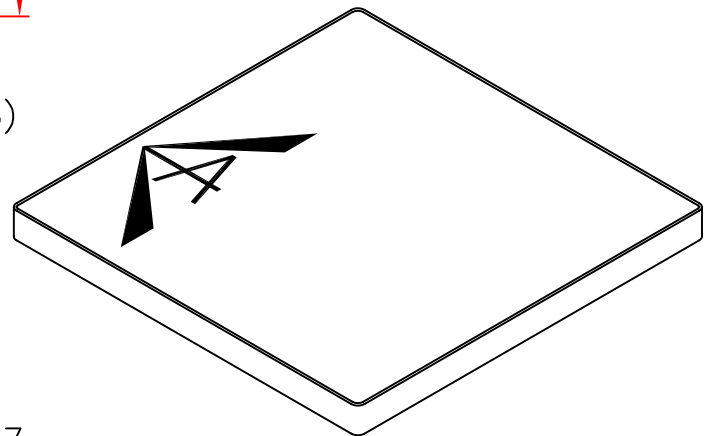
MODEL: FPA13-24VH-D2/433

FREQUENCY: 2.35 – 2.55 GHz	GAIN: 13 dBi
POLARISATION: Linear (vert & Hori)	BEAMWIDTH: 40° x 40°
ISOLATION: 30 dB	VSWR: 1.5:1
POWER RATING: 10W	FRONT TO BACK: 20 dB
TEMPERATURE: -20°C to +50°C	MASS: 0.45Kg/0.99lbs
RADOME: Gloss White Glass Fibre	WIND LOADING: 4.1Kg/9lbs @ 100 mph

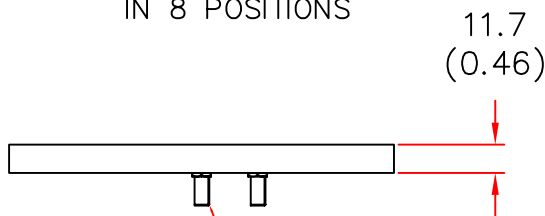


REAR  
VIEW

TAPPED HOLES M2.5  
IN 8 POSITIONS



ISOMETRIC VIEW



END  
VIEW

SMA (F) CONNECTORS

DIMENSIONS: mm (inches)

GA 433-1 Issued 290598

EUROPEAN ANTENNAS LTD.

TEL: +44 (0)1638 731888

LAMBDA HOUSE, CHEVELEY,  
NEWMARKET, SUFFOLK, CB8 9RG,  
UNITED KINGDOM.

FAX: +44 (0)1638 731999

European Antennas Ltd. has a policy of continuous development and therefore stress that the data contained on this sheet should be used for guidance only.