



TNC Male to TNC Female Right Angle Adapter

TECHNICAL DATA SHEET

PE9100

TNC Male to TNC Female Right Angle Adapter

Configuration

Connector 1	TNC Male
Connector Specification 1	MIL-STD-348
Connector 2	TNC Female
Connector Specification 2	MIL-STD-348
Adapter Design	Standard
Body Style	Right Angle

Electrical Specifications

Frequency Range, GHz	DC to 11
Impedance, Ohms	50
Maximum Operating Voltage, Volts	500
Dielectric Withstanding Voltage, Vrms	1,500

Mechanical Specifications

Temperature

Operating Range, deg C	-65 to +165
------------------------	-------------

Size

Length, in [mm]	1.05 [26.67]
Width/Dia., in [mm]	0.59 [14.99]
Height, in [mm]	1.03 [26.16]
Dielectric Type	Teflon

Connector 1

Type	TNC Male
Inner Conductor Material and Plating	Beryllium Copper, Silver
Body Material and Plating	Brass, Nickel

Connector 2

Type	TNC Female
Inner Conductor Material and Plating	Beryllium Copper, Silver
Body Material and Plating	Brass, Nickel

Compliance Certifications (visit www.Pasternack.com for current document)

RoHS Compliant	Yes
----------------	-----

Plotted and Other Data

Notes:	Values at 25 °C, sea level
--------	----------------------------

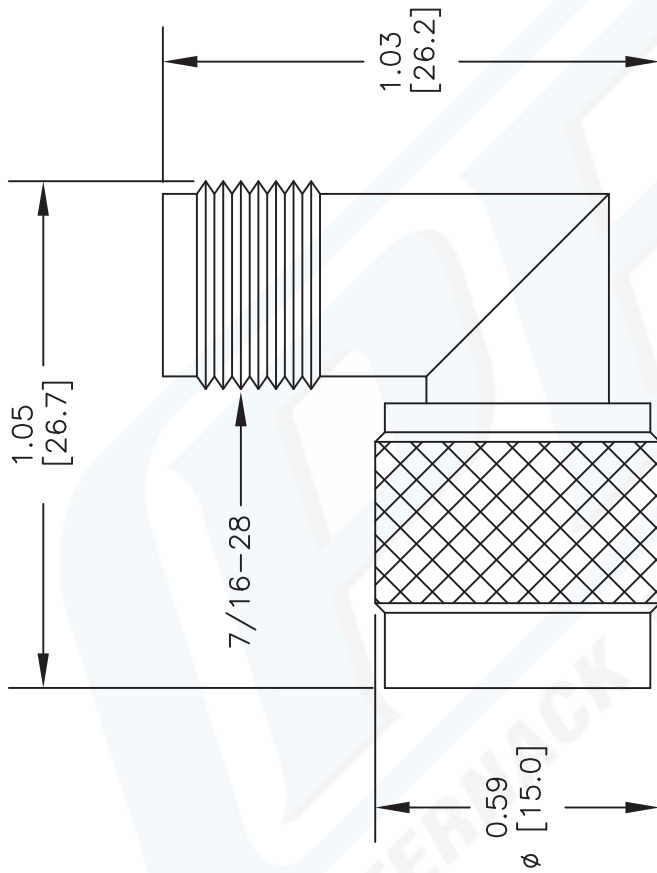
URL: <http://www.pasternack.com/tnc-male-tnc-female-right-angle-adapter-pe9100-p.aspx>

TNC Male to TNC Female Right Angle Adapter from Pasternack Enterprises has same day shipment for domestic and International orders. Our RF, microwave and fiber optic products maintain a 99% availability and are part of the broadest

The information contained in this document is accurate to the best of our knowledge and representative of the part described herein. It may be necessary to make modifications to the part and/or the documentation of the part, in order to implement improvements. Pasternack reserves the right to make such changes as required. Unless otherwise stated, all specifications are nominal.

PE9100 CAD Drawing

TNC Male to TNC Female Right Angle Adapter



DWG TITLE

PE9100

NOTES:
 1. UNLESS OTHERWISE SPECIFIED ALL DIMENSIONS ARE NOMINAL.
 2. ALL SPECIFICATIONS ARE SUBJECT TO CHANGE WITHOUT NOTICE AT ANY TIME.
 3. DIMENSIONS ARE IN INCHES [mm].

REV. A

FSCM NO. 53919

CAD FILE 052208

SCALE N/A

SIZE A

127



PASTERNAK®
 Pasternack Enterprises, Inc.
 P.O. Box 16759 | Irvine | CA | 92623
Phone: (949) 261-1920 | **Fax:** (949) 261-7451
Website: www.pasternack.com | **E-Mail:** sales@pasternack.com