



2 Watt Feed-Thru Load Up To 1,000 MHz With  
SMA Male Input Passivated Stainless Steel

RF Terminations Technical Data Sheet

PE6026

**Configuration**

|                   |                            |
|-------------------|----------------------------|
| Connector         | SMA Male                   |
| Heat Sink         | Passivated Stainless Steel |
| Connection Method | Standard                   |
| Body Style        | Straight                   |

**Electrical Specifications** (Values at 25°C, sea level)

| Description     | Minimum | Typical | Maximum | Units |
|-----------------|---------|---------|---------|-------|
| Frequency Range | DC      |         | 1,000   | MHz   |
| Impedance       |         | 50      |         | Ohms  |
| VSWR            |         |         | 1.25:1  |       |
| Input Power     |         |         | 2       | Watts |

**Mechanical Specifications**

**Temperature**

Operating Range -65 to +125 deg C

**Size**

Length 0.985 in [25.02 mm]  
Width/Dia. 0.312 in [7.92 mm]

**Connector**

Type SMA Male  
Inner Conductor Material and Plating Beryllium Copper, Gold  
Coupling Nut Material and Plating Passivated Stainless Steel  
Hex Size 5/16 in.  
Torque 8 in-lbs [0.9 Nm]  
Body Material and Plating Passivated Stainless Steel  
Dielectric Type PTFE

**Compliance Certifications** (visit [www.Pasternack.com](http://www.Pasternack.com) for current document)

RoHS Compliant  
REACH Compliant 06/18/2012

**Plotted and Other Data**

- Notes:
- Values at +25 °C, sea level
  - Impedance Tolerance: ± 1%

Click the following link (or enter part number in "SEARCH" on website) to obtain additional part information including price, inventory and certifications: [2 Watt Feed-Thru Load Up To 1,000 MHz With SMA Male Input Passivated Stainless Steel PE6026](#)





## 2 Watt Feed-Thru Load Up To 1,000 MHz With SMA Male Input Passivated Stainless Steel

### RF Terminations Technical Data Sheet

PE6026

2 Watt Feed-Thru Load Up To 1,000 MHz With SMA Male Input Passivated Stainless Steel from Pasternack Enterprises has same day shipment for domestic and International orders. Our RF, microwave and millimeter wave products maintain a 99% availability and are part of the broadest selection in the industry.

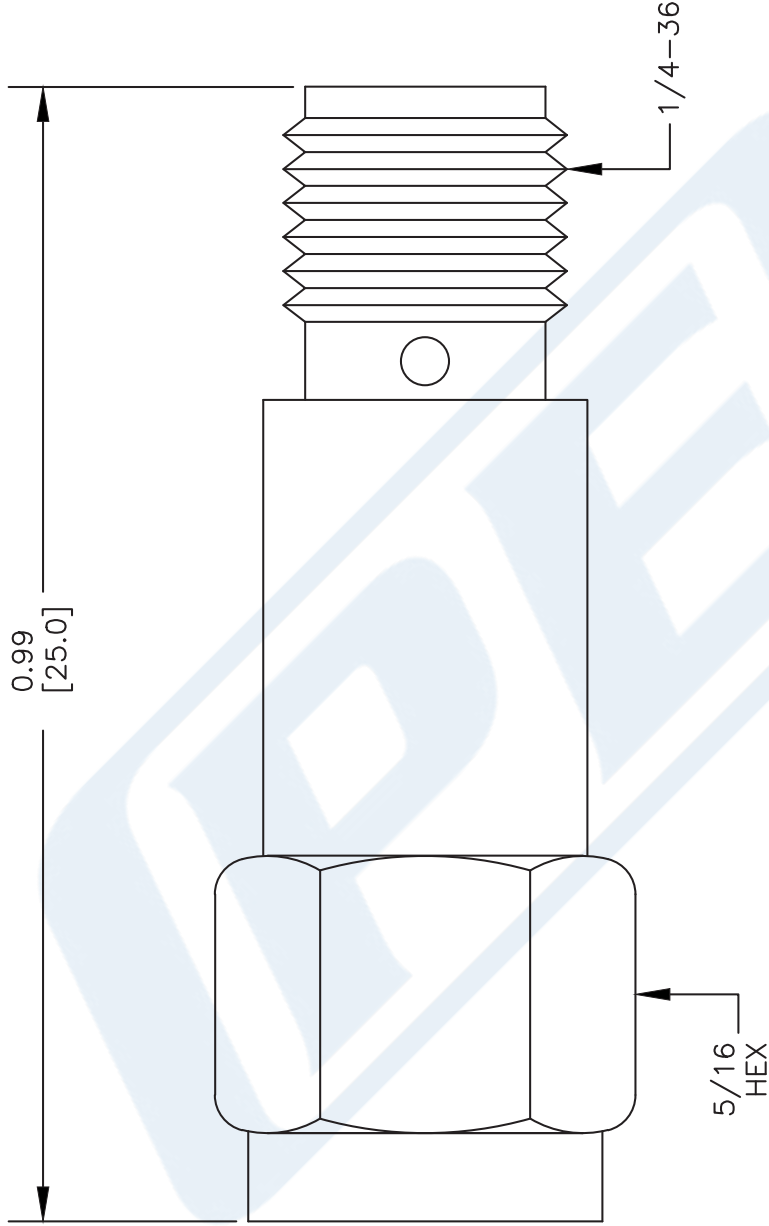
Click the following link (or enter part number in "SEARCH" on website) to obtain additional part information including price, inventory and certifications: [2 Watt Feed-Thru Load Up To 1,000 MHz With SMA Male Input Passivated Stainless Steel PE6026](http://www.pasternack.com/2-watts-sma-male-feed-thru-load-up-to-1-ghz-pe6026-p.aspx)

URL: <http://www.pasternack.com/2-watts-sma-male-feed-thru-load-up-to-1-ghz-pe6026-p.aspx>

The information contained in this document is accurate to the best of our knowledge and representative of the part described herein. It may be necessary to make modifications to the part and/or the documentation of the part, in order to implement improvements. Pasternack reserves the right to make such changes as required. Unless otherwise stated, all specifications are nominal. Pasternack does not make any representation or warranty regarding the suitability of the part described herein for any particular purpose, and Pasternack does not assume any liability arising out of the use of any part or documentation.

# PE6026 CAD Drawing

2 Watt Feed-Thru Load Up To 1,000 MHz With SMA Male Input Passivated Stainless Steel



NOTES:  
1. UNLESS OTHERWISE SPECIFIED ALL DIMENSIONS ARE NOMINAL.  
2. ALL SPECIFICATIONS ARE SUBJECT TO CHANGE WITHOUT NOTICE AT ANY TIME.  
3. DIMENSIONS ARE IN INCHES [mm].

DWG TITLE  
**PE6026**

FSCM NO. 53919

CAD FILE 071202 SCALE N/A SIZE A 127

**PE PASTERNAK®**  
Pasternack Enterprises, Inc.  
P.O. Box 16759 | Irvine | CA | 92623  
Phone: (949) 261-1920 | Fax: (949) 261-7451  
Website: www.pasternack.com | E-Mail: sales@pasternack.com