

1400 MHz < Fo < 1700 MHz

Band Pass

Slopes 25 MHz

Bandwidth 100 MHz

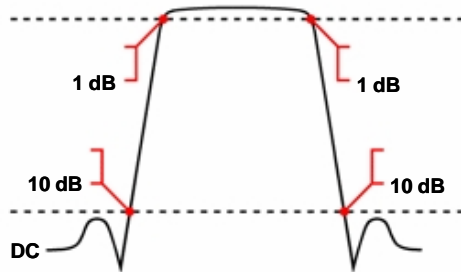
WBCJV5-___

Attenuation 10 dB

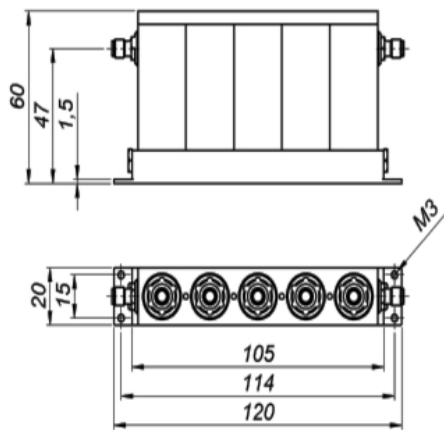
Specifications

Passband:	___ (Fo) ± 50 MHz = ___ to ___ MHz
Passband Insertion Loss:	1 dB max. at Fo (1 dB max. at corners)
Passband Return Loss:	14 dB min. (VSWR 1.5:1 max.)
Stopband:	DC to ___ MHz and ___ to ___ MHz
Stopband Attenuation:	10 dB min.
Operating Temperature:	15 °C to 45 °C
Power Handling:	will be quoted (<i>Please see our warranty in this regard</i>)
Dimensions (L x W x H):	max. 105 x 20 x 60 mm (plus connectors and flanges)
Approx. Weight:	0.2 kg
Mounting Provision:	7.5 mm flanges on both ends with 3.3 mm holes
Connector 1:	- Please choose -
Connector 2:	- Please choose -

Typical Performance



5 Section Cavity Design



Connector Options

- SMA Female
- SMA Male
- N Female
- N Male
- BNC Female
- BNC Male

©2013 Wainwright Instruments. All rights reserved.

Euro Prices	1 - 4 pcs:	€ 675
(USD Prices will be quoted for US-based customers only)	5 - 9 pcs:	€ 624
	10 - 24 pcs:	€ 578

Delivery Terms FCA Andechs (free carrier) according to **Incoterms 2010**
 In Deutschland liefern wir frachtfrei gemäß CPT **Incoterms 2010** (unversichert).
 Regarding payment terms and warranty see [Terms and Conditions](#).
Delivery time: normally 3 to 4 weeks - depending on quantity ordered and on our work load.

Customer is responsible for observing all applicable export laws in regard to filter application and location of end user



Wainwright Instruments GmbH
 www.wainwright-filters.com

Tel: +49 8152 918230
 Fax: +49 8152 918255
 info@wainwright-filters.com