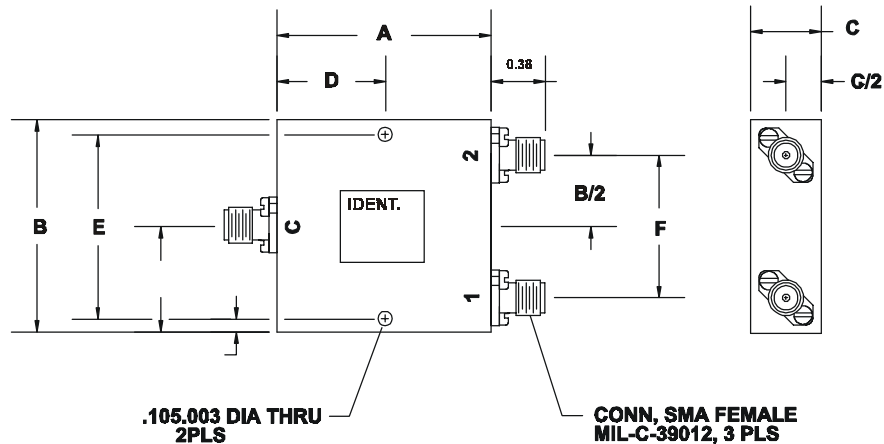


# 2-WAY POWER DIVIDERS/COMBINERS

## 0.5 - 26.5 GHz

Model Number	Frequency Range (GHz)	Insertion Loss (dB Max.)	Amplitude Balance (dB Max.)	Phase Balance (Deg Max.)	Isolation (dB Min.)	VSWR (Max.)		Power Watts Max. Load VSWR			Outline
						Input	Output	1.2:1	2.0:1	INF.	
CDS2-0510	0.5 - 1.0	0.40	0.20	2.0	22	1.20	1.10	30	10	1	1
CDS2-0540	0.5 - 4.0	0.50	0.20	4.0	20	1.30	1.20	30	10	1	2
CDS2-1020	1.0 - 2.0	0.60	0.20	3.0	22	1.25	1.20	30	10	1	3
CDS2-2040	2.0 - 4.0	0.60	0.20	4.0	20	1.30	1.25	30	10	1	3
CDS2-3050	3.0 - 5.0	0.50	0.20	4.0	20	1.30	1.30	30	10	1	3
CDS2-2080	2.0 - 8.0	0.40	0.20	4.0	20	1.35	1.35	30	10	1	4
CDS2-4080	4.0 - 8.0	0.40	0.20	4.0	20	1.30	1.30	30	10	1	5
CDS2-6018	6.0 - 18.0	1.20	0.25	5.0	18	1.40	1.40	30	10	1	6
CDS2-7012	7.0 - 12.4	0.80	0.20	5.0	20	1.30	1.35	30	10	1	5
CDS2-8018	8.0 - 18.0	1.00	0.20	5.0	20	1.35	1.40	30	10	1	5
CDS2-1218	12.0 - 18.0	1.00	0.30	5.0	20	1.35	1.40	30	10	1	5
CDS2-1826	18.0 - 26.5	1.10	0.50	5.0	20	1.60	1.50	5	2	1	7
CDS2-2018	2.0 - 18.0	1.50	0.20	5.0	17	1.50	1.50	30	10	1	6



Outline Dimensions		A	B	C	D	E	F
1	INCH	1.50	2.50	0.50	0.53	2.31	1.00
2	INCH	3.00	1.50	0.50	1.50	1.31	1.00
3	INCH	1.50	1.50	0.50	0.75	1.31	1.00
4	INCH	2.00	1.50	0.50	1.00	1.31	1.00
5	INCH	1.00	1.00	0.50	0.50	0.64	0.50
6	INCH	1.62	1.00	0.38	0.75	0.85	0.50
7	INCH	1.15	1.06	0.50	0.575	0.880	0.560



CHARTER ENGINEERING, INC.

INTERNET: <http://www.ceiswitches.com>

EMAIL: [sales@ceiswitches.com](mailto:sales@ceiswitches.com)