

# KR Electronics 2519 Bandpass Filter

## General Description

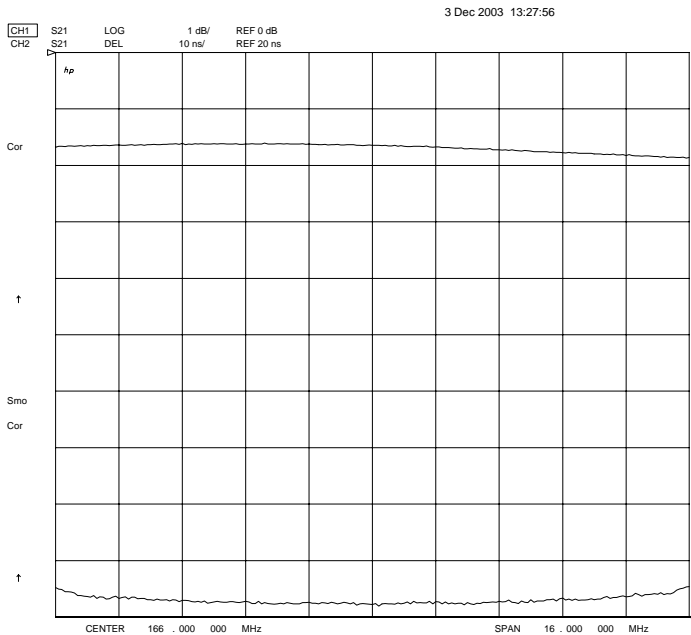
KR 2519 is a 166 MHz surface mount bandpass filter. Other center frequencies and bandwidths available. Please consult the factory.

### Features

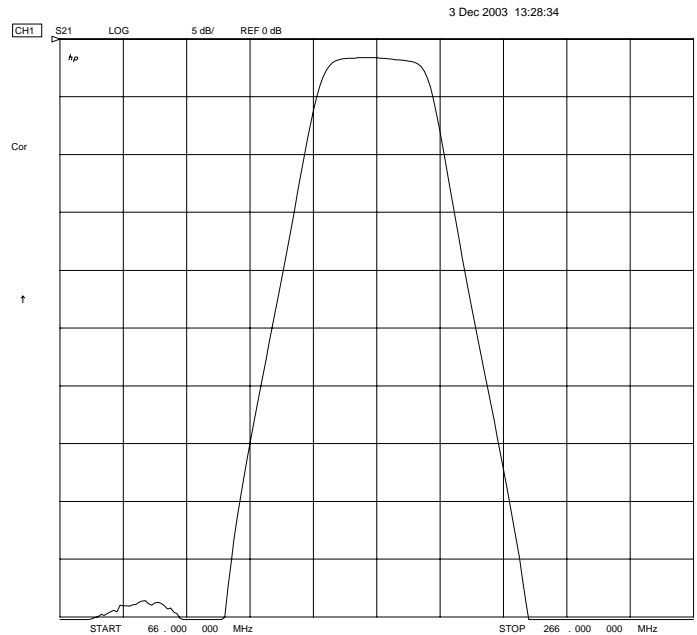
- Surface Mount Package
- 166 MHz Center Frequency
- >40 dB Stopband
- 50 Ω Source and Load

## Typical Performance

**Passband Amplitude & Group Delay**  
(1 dB/div & 5 nsec/div)



**Overall Response**  
(5 dB/div)



KR Electronics, Inc.  
91 Avenel Street  
Avenel, NJ 07001

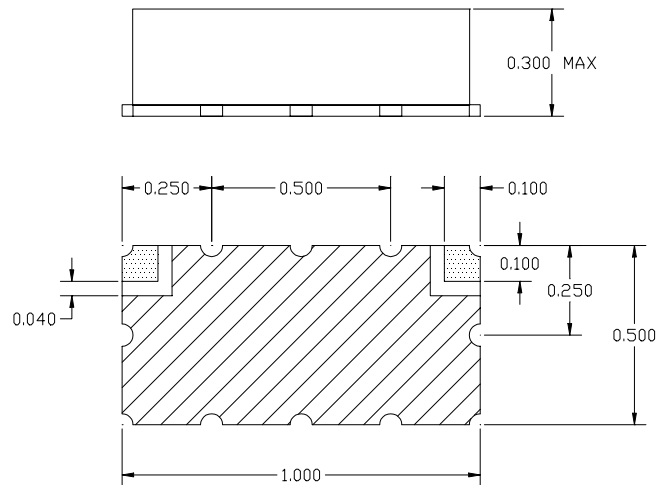
Web www.krfilters.com  
Email sales@krfilters.com  
Phone (732) 636-1900  
Fax (732) 636-1982

# KR Electronics 2519 Bandpass

## Specifications

Parameter	Specification
Filter type	Bandpass
Center Frequency	166 MHz
Insertion Loss	< 4 dB ( 2 dB Typical)
Minimum 1 dB Bandwidth	16 MHz
Attenuation at 115 MHz	> 40 dB
Attenuation at 214 MHz	> 40 dB
Source and Load	50 Ω

## Physical Dimensions



**Notes:**

1. Surface mount package — Metal cover, open frame
2. Dimensions in inches
3. Use SN60 or SN63 solder during installation
4. If boards are cleaned after installation, units must be completely dried to remove any entrapped moisture that will effect electrical performance