



XLT Series

Hi-Rel Crystal Oscillator Replacement

PRODUCT FEATURES

- High vibration tolerance: 12 g's RMS Operating
- Optionally hermetically-sealed per MIL-STD-883
- No warm-up time, instant turn-on

GENERAL CHARACTERISTICS

- Fixed Frequency:
- Temperature Range:
- Phase Noise (Fout=56 MHz):
- Modular Package:

5 - 500 MHz
-40°C to +85°C Operating
<-135 dBc/Hz @ 10 KHz
1.3" x 1.1" x 0.4"
(33.0 x 27.9 x 10.2)mm

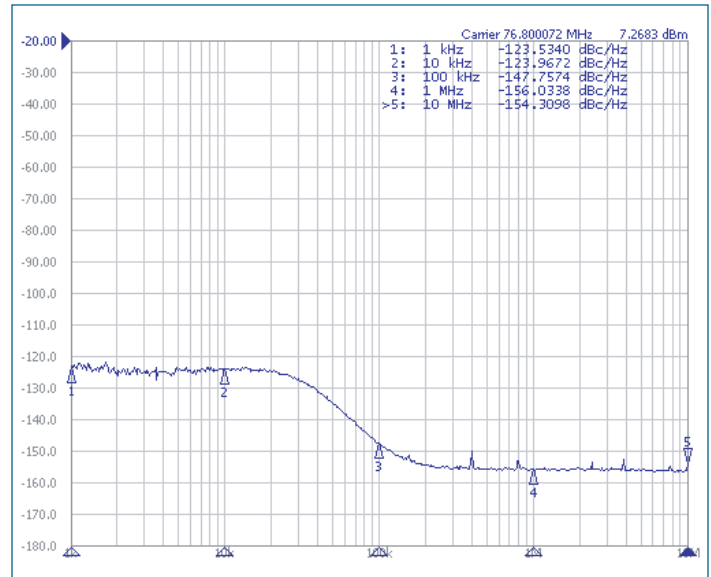


Typical Performance for Select Units

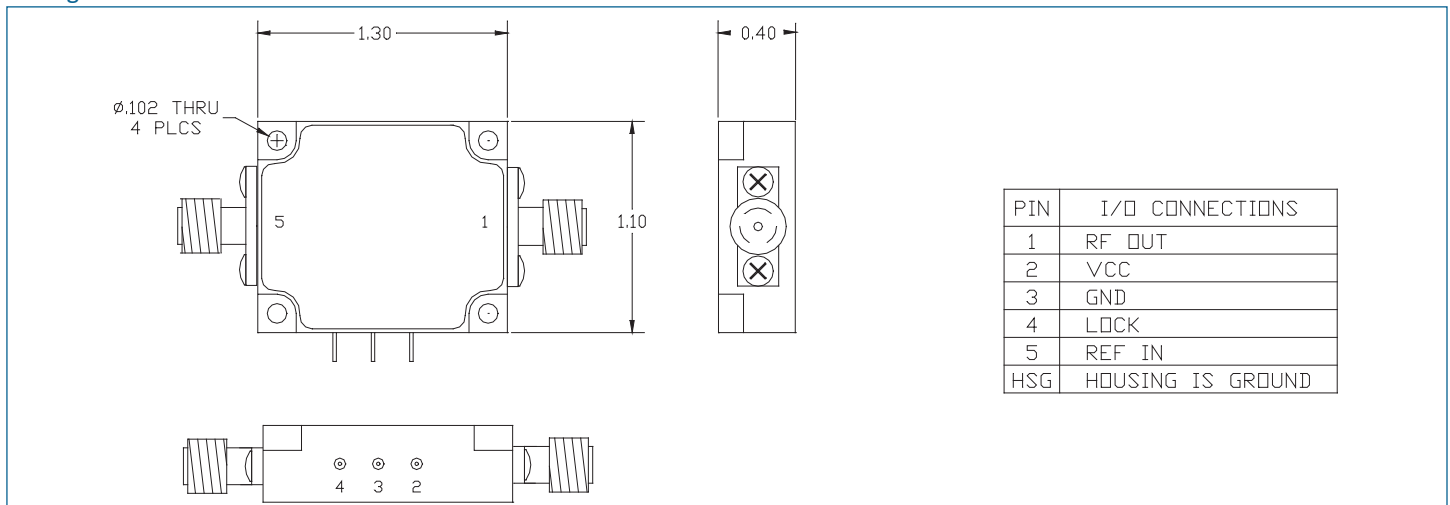
Model #	Power			Phase Noise (dBc/Hz)			Supply	
	Freq. (MHz)	Out (dBm)	Harmonics (dBc)	10 KHz	100KHz	Spurs (dBc)	Voltage (Vdc)	Current (mA)
XLT-10-XX	10	+7	-15	-140	-145	-80	+8	195
XLT-25-XX	25	CMOS	-	-135	-145	-75	+5	195
XLT-50-XX	50	+7	-15	-135	-145	-75	+5	195
XLT-75-XX	75	+7	-15	-130	-145	-75	+5	195
XLT-76-XX	76.8	+7	-15	-130	-145	-75	+5	195
XLT-100-XX	100	+7	-20	-130	-140	-75	+5	175
XLT-100-XX	100	CMOS	-	-125	-140	-75	+3.3	175
XLT-120-XX	120	+7	-20	-125	-140	-70	+5	175
XLT-180-XX	180	+7	-20	-120	-135	-70	+5	175
XLT-200-XX	200	+7	-20	-120	-135	-70	+5	175
XLT-228-XX	228.75	+7	-20	-120	-135	-60	+12	175
XLT-300-XX	300	+7	-15	-115	-130	-65	+5	175
XLT-400-XX	400	+7	-15	-115	-130	-65	+5	175
XLT-500-XX	500	+7	-20	-112	-130	-65	+8	155

*Custom frequencies available. All specifications are typical unless otherwise specified and subject to change without notice.

Phase Noise



Package



Note: All dimensions are in inches, unless otherwise specified

*Drawing not to scale