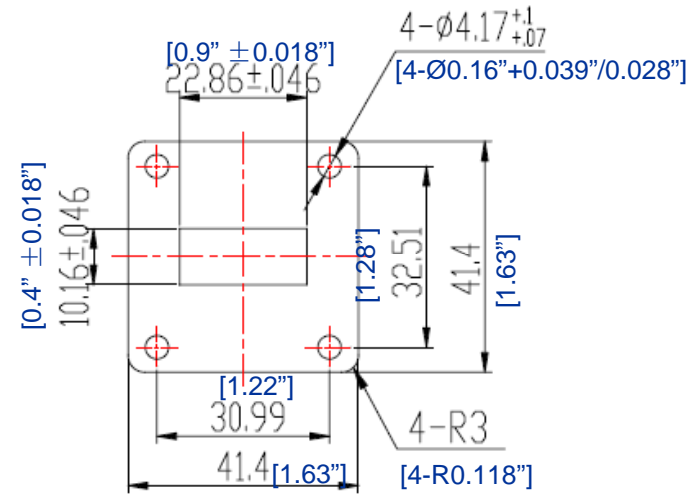
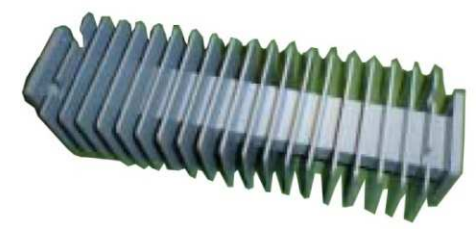
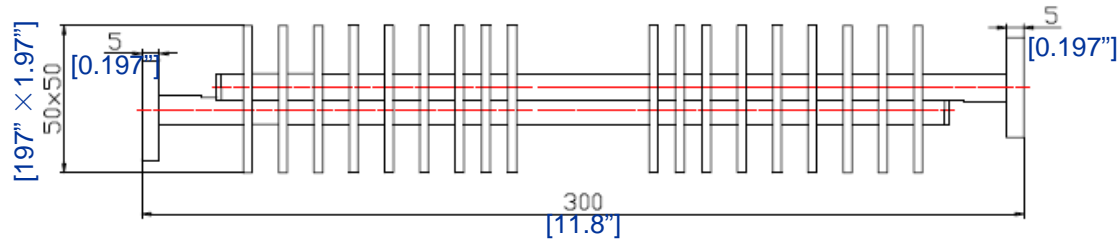


# WAVEGUIDE WR90 100W ATTENUATOR – RFWAT90W100



3.0	Electrical Specifications	
3.1	Frequency Range	8.2-12.4GHz
3.2	Power Handle	100W (CW)
3.3	Attenuation	30dB ± 2dB
3.4	VSWR	1.25:1

1.0	Mechanical Specifications	
1.1	Waveguide type	Rectangular Waveguide WR90
1.2	Flange type	CPRG, CPRF, COVER, CHOKE available
1.3	Flange Holes	Through
1.4	Basis-material	Alloyed Cuprum 0.1kg
1.5	Internal Body Finish	Silver Plated chromate or conversion
1.6	External Body Finish	Body painted with gray/black epoxy enamel

2.0	Environment specifications	
2.1	Operation Temp.	-40°C~-85°C
2.2	Storage Temp.	-60°C~-125°C
2.3	Altitude	45000 ft
2.4	Vibration	10g rms (15 degree 2KHz)
2.5	Humidity	100% RH at 35c, 95%RH at 40 deg c
2.6	Shock	20G for 11msc

PAGE 1 OF 1

DATE Dec 14th 2004

DESIGN RFWGDP

RF-LAMBDA RFPG

CAD MODEL REVISION 02

ASSEMBLY REVISION VSDP1

ASSEMBLY NAME RFLVR02


DRAWING NUMBER 002-1

www.rflambda.com

RF-LAMBDA

SIZE IT

SHEETS 1 OF 1


**RFWAT90W100**  
**WAVEGUIDE**  
**ATTENUATOR**