



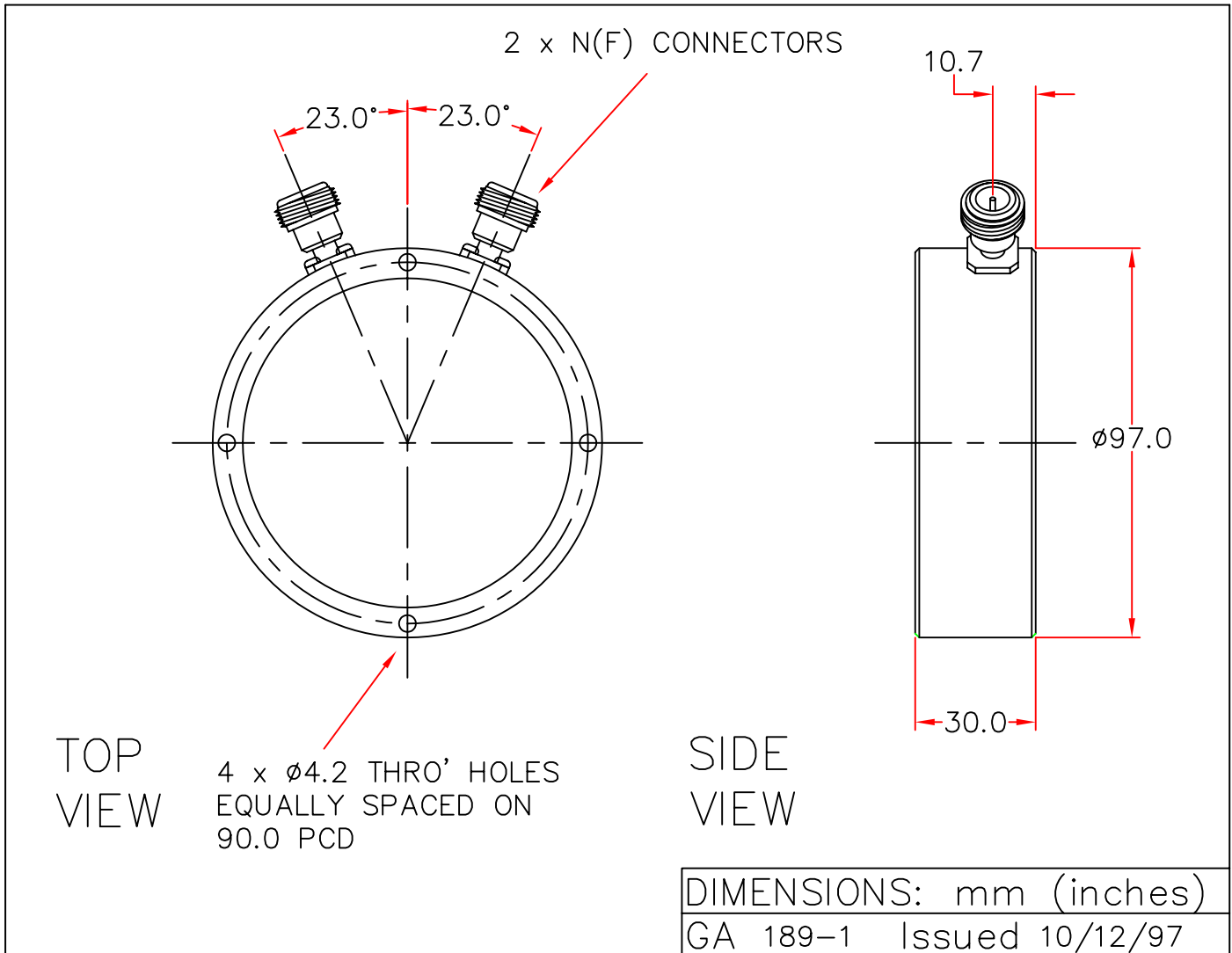
EUROPEAN ANTENNAS



DUAL CIRCULAR POLARISED LOW PROFILE ANTENNA

MODEL: DLPA7-X-24RL/189

FREQUENCY: 2.40 – 2.65 GHz	GAIN: 7 dBiC
POLARISATION: R.H.C & L.H.C.	BEAMWIDTH: 90° x 90°
AXIAL RATIO: 3 dB Typ.	VSWR: 1.5 : 1
ISOLATION: 12 dB Min	FRONT TO BACK: 20 dB Typ.
POWER RATING: 10 W	MASS: 0.6 Kg/1.3 lbs
TEMPERATURE: -20°C to +50°C	WIND LOADING: 1.2Kg/2.6lbs@100mph
RADOME: Glass Fibre/Matt Black	



EUROPEAN ANTENNAS LTD.

TEL: +44 (0)1638 731888

LAMBDA HOUSE, CHEVELEY,
NEWMARKET, SUFFOLK, CB8 9RG,
UNITED KINGDOM.

FAX: +44 (0)1638 731999

European Antennas Ltd. has a policy of continuous development and therefore stress that the data contained on this sheet should be used for guidance only.