

TNC Male to TNC Male Right Angle Adapter



TECHNICAL DATA SHEET

PE9560

TNC Male to TNC Male Right Angle Adapter

Configuration

Connector 1	TNC Male
Impedance 1	50 Ohms
Connector Specification 1	MIL-C-39012
Connector 2	TNC Male
Impedance 2	50 Ohms
Connector Specification 2	MIL-C-39012
Adapter Design	Standard
Body Style	Right Angle

Mechanical Specifications

Temperature

Operating Range, deg C	-65 to +165
------------------------	-------------

Size

Length, in [mm]	1.03 [26.16]
Width/Dia., in [mm]	0.59 [14.99]
Height, in [mm]	1.03 [26.16]

Connector 1

Type	TNC Male
Inner Conductor Material and Plating	Silver
Inner Conductor Plating Specification	QQ-S-365
Coupling Nut Material and Plating	Brass, Nickel
Body Material and Plating	Brass, Nickel
Dielectric Type	Teflon

Connector 2

Type	TNC Male
Inner Conductor Material and Plating	Silver
Inner Conductor Plating Specification	QQ-S-365
Coupling Nut Material and Plating	Brass, Nickel
Body Material and Plating	Brass, Nickel
Dielectric Type	Teflon

Compliance Certifications (visit www.Pasternack.com for current document)

RoHS Compliant	Yes
----------------	-----

Click the following link (or enter part number in "SEARCH" on website) to obtain additional part information including price, inventory and certifications: [TNC Male to TNC Male Right Angle Adapter PE9560](#)

The information contained in this document is accurate to the best of our knowledge and representative of the part described herein. It may be necessary to make modifications to the part and/or the documentation of the part, in order to implement improvements. Pasternack reserves the right to make such changes as required. Unless otherwise stated, all specifications are nominal.

TNC Male to TNC Male Right Angle Adapter



TECHNICAL DATA SHEET

PE9560

Plotted and Other Data

Notes:

Values at 25 °C, sea level

TNC Male to TNC Male Right Angle Adapter from Pasternack Enterprises has same day shipment for domestic and International orders. Our RF, microwave and fiber optic products maintain a 99% availability and are part of the broadest selection in the industry.

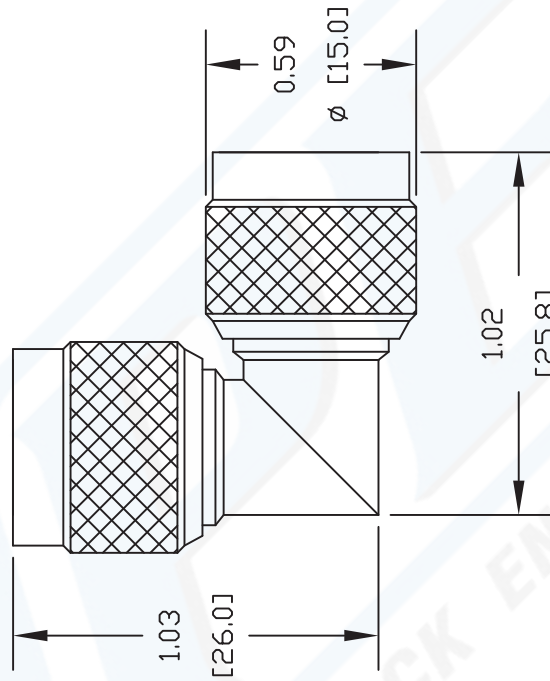
Click the following link (or enter part number in "SEARCH" on website) to obtain additional part information including price, inventory and certifications: [TNC Male to TNC Male Right Angle Adapter PE9560](#)

URL: <http://www.pasternack.com/tnc-male-tnc-male-right-angle-adapter-pe9560-p.aspx>

The information contained in this document is accurate to the best of our knowledge and representative of the part described herein. It may be necessary to make modifications to the part and/or the documentation of the part, in order to implement improvements. Pasternack reserves the right to make such changes as required. Unless otherwise stated, all specifications are nominal.

PE9560 CAD Drawing

TNC Male to TNC Male Right Angle Adapter



NOTES:
 1. UNLESS OTHERWISE SPECIFIED ALL DIMENSIONS ARE NOMINAL.
 2. ALL SPECIFICATIONS ARE SUBJECT TO CHANGE WITHOUT NOTICE AT ANY TIME.
 3. DIMENSIONS ARE IN INCHES [mm].

DWG TITLE
PE9560

PASTERNAK ENTERPRISES, INC.
 P.O. BOX 16759, IRVINE, CA 92623
 PHONE (949) 261-1920 FAX (949) 261-7451
 WEB ADDRESS: www.pasternack.com
 E-MAIL ADDRESS: sales@pasternack.com
COAXIAL & FIBER OPTICS



127

SIZE A

SCALE N/A

CAD FILE 100102

FSCM NO. 53919

REV. -