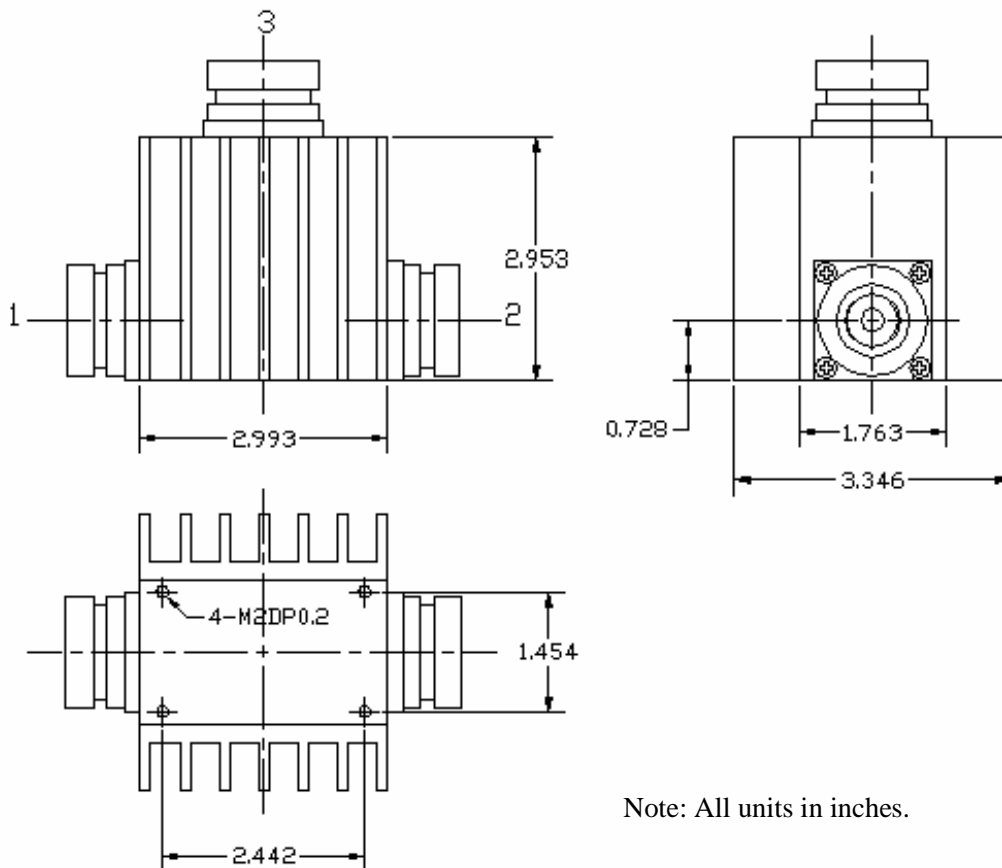


Key Features:

- Center frequency range: 700~1500MHz, up to 80MHz bandwidth
- 50 ohm DIN 7/16 female connector In/out
- Power handling +1000 Watts forward
- Operating temperature 0~+65°C
- Customer specify center frequency and bandwidth

Electrical Specifications

Part No.	Freq Range MHz	Insertion Loss, dB	Reverse Isolation, dB	VSWR	Forward Power, Watts	Temp. Range, °C
F2552-0770-10	730~810	0.4 Max	≥ 20	≤ 1.2	1000	0 ~ +65
F2552-0833-06	806-860	0.4 Max	≥ 20	≤ 1.2	1000	0 ~ +65
F2552-0855-08	820-890	0.4 Max	≥ 20	≤ 1.2	1000	0 ~ +65
F2552-1300-05	1265~1335	0.4 Max	≥ 20	≤ 1.2	1000	0 ~ +65
F2552-1427-04	1397~1457	0.4 Max	≥ 20	≤ 1.2	1000	0 ~ +65

Mechanical Structure:

Ordering Information:

Part Number:

F2552-XXXX-XX
 ↓ ↓
 Bandwidth, XX%,
Frequency X.XXX GHz,