



## 3/4 inch-20 Twinax Female to 3/4 inch-20 Twinax Female Adapter

### TECHNICAL DATA SHEET

PE9199

#### 3/4 inch-20 Twinax Female to 3/4 inch-20 Twinax Female Adapter

##### Configuration

Connector 1	3/4"-20 Twinax Female
Impedance 1	95 Ohms
Connector 2	3/4"-20 Twinax Female
Impedance 2	95 Ohms
Adapter Design	Standard
Body Style	Straight

##### Mechanical Specifications

###### Size

Length, in [mm]	1.675 [42.55]
Width/Dia., in [mm]	0.8 [20.32]

###### Connector 1

Type	3/4"-20 Twinax Female
Inner Conductor Material and Plating	Brass, Gold
Body Material and Plating	Brass, Nickel
Dielectric Type	PBT

###### Connector 2

Type	3/4"-20 Twinax Female
Inner Conductor Material and Plating	Brass, Gold
Body Material and Plating	Brass, Nickel
Dielectric Type	PBT

##### Compliance Certifications (visit [www.Pasternack.com](http://www.Pasternack.com) for current document)

RoHS Compliant	Yes
----------------	-----

##### Plotted and Other Data

Notes:	Values at 25 °C, sea level
--------	----------------------------

3/4 inch-20 Twinax Female to 3/4 inch-20 Twinax Female Adapter from Pasternack Enterprises has same day shipment for domestic and International orders. Our RF, microwave and fiber optic products maintain a 99% availability and are part of the broadest selection in the industry.

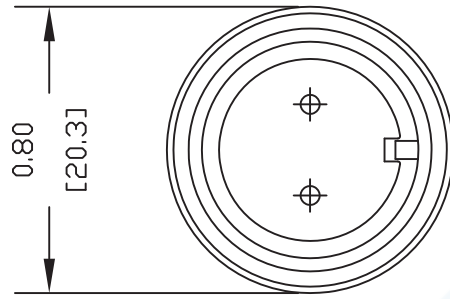
Click the following link (or enter part number in "SEARCH" on website) to obtain additional part information including price, inventory and certifications: [3/4 inch-20 Twinax Female to 3/4 inch-20 Twinax Female Adapter PE9199](http://www.pasternack.com/3-4-inch-20-female-3-4-inch-20-female-straight-adapter-pe9199-p.aspx)

URL: <http://www.pasternack.com/3-4-inch-20-female-3-4-inch-20-female-straight-adapter-pe9199-p.aspx>

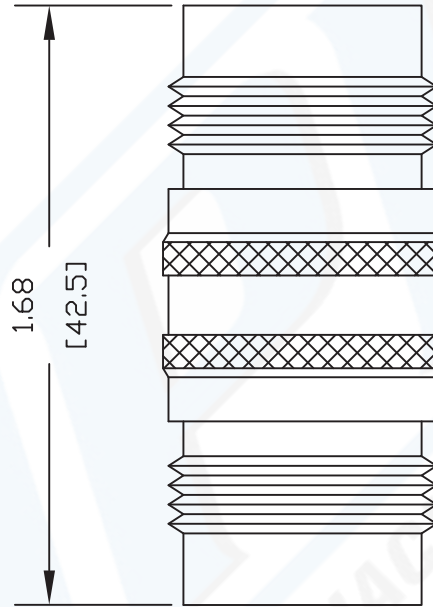
The information contained in this document is accurate to the best of our knowledge and representative of the part described herein. It may be necessary to make modifications to the part and/or the documentation of the part, in order to implement improvements. Pasternack reserves the right to make such changes as required. Unless otherwise stated, all specifications are nominal.

# PE9199 CAD Drawing

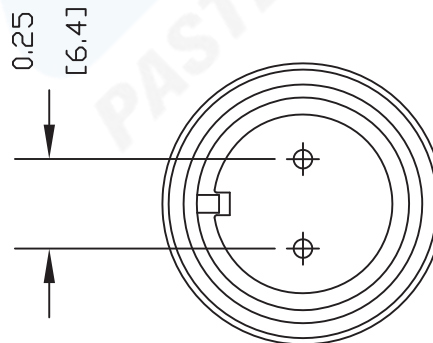
3/4 inch-20 Twinax Female to 3/4 inch-20 Twinax Female Adapter



BACK VIEW



FRONT VIEW



NOTES:  
1. UNLESS OTHERWISE SPECIFIED ALL DIMENSIONS ARE NOMINAL.  
2. ALL SPECIFICATIONS ARE SUBJECT TO CHANGE WITHOUT NOTICE AT ANY TIME.  
3. DIMENSIONS ARE IN INCHES [mm].

DWG TITLE

**PE9199**

REV. B

FSCM NO. 53919

CAD FILE 052209

SCALE N/A

SIZE A

127

**PE PASTERNAK®**  
Pasternack Enterprises, Inc.  
P.O. Box 16759 | Irvine | CA | 92623  
Phone: (949) 261-1920 | Fax: (949) 261-7451  
Website: www.pasternack.com | E-Mail: sales@pasternack.com