

PAD	CONNECTION
1	Control voltage
2	Ground
3	Output
4	Supply

Features

- ▶ 3.3V supply
- ▶ Fundamental mode crystal up to 54.0MHz
- ▶ Choice of pullability & stability
- ▶ Miniature SM package

Specifications

Parameters	Product	Option Codes
	GVXO-523	
Frequency range:	1.50 ~ 54.0MHz	■
Voltage control:	+1.65V ±1.50V, 10% linearity	■
Frequency pullability (min):	±100ppm (<30MHz only) ±80ppm ±50ppm Other	■ ■ □ □
Frequency stability:	±50ppm ±25ppm Other	■ □ □
Operating temperature range:	-20 to +70°C -40 to +85°C	■ □
Storage temperature range:	-40 to +85°C	■
Supply voltage (V _{DD}):	+3.3V (±10%)	■
Supply current:	10mA max (1.5 ~ 20.0MHz) 15mA max (>20.0 ~ 30.0MHz) 20mA max (>30.0 ~ 40.0MHz) 25mA max (>40.0MHz)	■ ■ ■ ■
Driving ability:	15pF CMOS	■
Logic levels:	'0' level = 10%V _{DD} max '1' level = 90%V _{DD} min	■ ■
Waveform symmetry:	45:55 max @ 50%V _{DD}	■
Rise / fall time (10%~90%V _{DD}):	10ns max (1.5 ~ 10.0MHz) 6ns max (>10.0MHz)	■ ■
Start up time:	10ms max	■
Period jitter RMS:	6 ps max	■
Phase jitter RMS:	1ps max, 12kHz ~ 20MHz	■
Phase noise (typ):	-130dBc/Hz @ 1kHz	■
Ageing:	±5ppm / year max	■

■ Standard. □ Optional - Please specify required code(s) when ordering

Ordering Information

Product + option codes + frequency

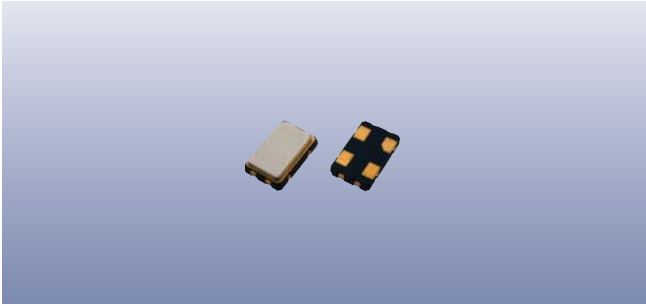
eg: **GVXO-523/SC 27.0MHz** ±100ppm pull, ±25ppm stab, -10+70°C

GVXO-523/PBI 35.3280MHz ±80ppm pull, ±50ppm stab, -40+85°C



Option codes must be included to specify a model completely.

Option code X (eg GVXO-523/X) denotes a custom spec.

♦ Please check availability of ±25ppm stability over -40+85°C before ordering



Construction

-  Ceramic body with gold-plated pads
-  Metal lid, seam sealed

Composition



This product is lead-free, and is fully compliant with the RoHS directive 2002/95/EC



Packaging & Handling

Production quantities supplied on T&R, 1k pcs per reel.
Small quantities may be supplied on tape (no reel), or in bulk.



♦ Static sensitive product. Observe proper handling precautions

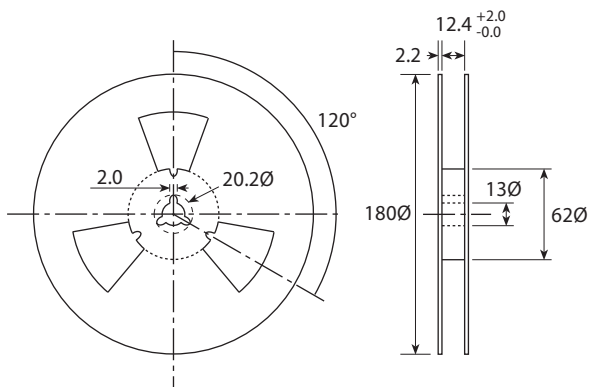
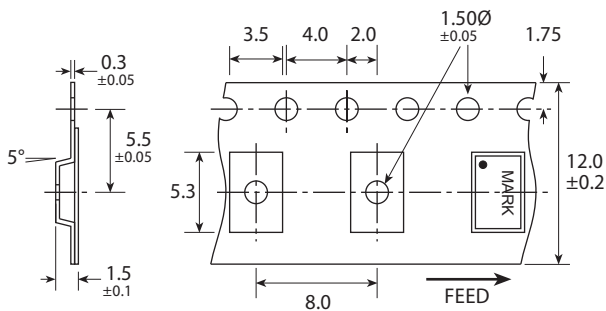
Marking

FREQUENCY
• PARTNO DC

- Pin 1
- Marking type: Laser
- DC = Date code in YM, eg "CE" = May 2003

	A	B	C	D	E	F	G	H	J	K	L	M
Y	1	2	3	4	5	6	7	8	9	0		
M	Jan	Feb	Mar	Apr	May	Jun	Jul	Aug	Sep	Oct	Nov	Dec

Tape & Reel Specification



Not to scale. Dimensions in mm. Tolerances ±0.1mm unless otherwise stated

Soldering Profile

