

**VI TELEFILTER****Filter specification****TFS 99****1/5****Measurement condition**

Ambient temperature:	23	°C
Input power level:	0	dBm
Terminating impedance: *		
Input:	1560 Ω    -10,6 pF	
Output:	1350 Ω    -11,5 pF	

**Characteristics****Remark:**

The reference level for the relative attenuation  $a_{rel}$  of the TFS 99 is the minimum of the pass band attenuation. The maximum attenuation in the pass band is defined as the insertion loss  $a_e$ . The nominal frequency  $f_N$  is fixed at 99,84 MHz without any tolerance. The values of relative attenuation  $a_{rel}$  are guaranteed for the whole operating temperature range. The frequency shift of the filter in the operating temperature range is included in the production tolerance scheme.

<b>D a t a</b>	<b>typ. value</b>		<b>tolerance / limit</b>	
<b>Insertion loss</b> (reference level)	$a_e$	7 dB	min.	12 dB
<b>Nominal frequency</b>	$f_N$	-		99,84 MHz
<b>Passband</b>			$f_N$	$\pm 128$ kHz
<b>Pass band ripple</b>		0,5 dB	max.	1,2 dB
<b>Relative attenuation</b>	$a_{rel}$			
$f_N$	... $f_N \pm 128$ kHz	0,5 dB	max.	1,2 dB
$f_N - 89,840$ MHz	... $f_N - 10,240$ MHz	65 dB	min.	45 dB
$f_N - 10,240$ MHz	... $f_N - 8,240$ MHz	62 dB	min.	50 dB
$f_N - 8,240$ MHz	... $f_N - 1,689$ MHz	48 dB	min.	40 dB
$f_N - 1,689$ MHz	... $f_N - 0,848$ MHz	36 dB	min.	30 dB
$f_N - 0,848$ MHz	... $f_N - 0,458$ MHz	10 dB	min.	5 dB
$f_N + 0,467$ MHz	... $f_N + 0,842$ MHz	10 dB	min.	5 dB
$f_N + 0,842$ MHz	... $f_N + 1,383$ MHz	36 dB	min.	30 dB
$f_N + 1,383$ MHz	... $f_N + 47,980$ MHz	46 dB	min.	40 dB
$f_N + 47,980$ MHz	... $f_N + 900,160$ MHz	65 dB	min.	35 dB
<b>Group delay</b>	at $f_N$	1,32 μs	max.	1,6 μs
<b>Group delay ripple within PB</b>		40 ns	max.	150 ns
<b>DC voltage</b>		-	max.	10 V
<b>Input power level</b>		-	max.	10 dBm
<b>Operating temperature range</b>	OTR	-		- 40 °C ... + 85 °C
<b>Storage temperature range</b>		-		- 40 °C ... + 85 °C
<b>Frequency inversion temperature</b>		28 °C		-
<b>Temperature coefficient of frequency</b>	$TC_f$ **	-0,036 ppm/K <sup>2</sup>		-

\*) The terminating impedances depend on parasitics and q-values of matching elements and the board used, and are to be understood as reference values only. Should there be additional questions do not hesitate to ask for an application note or contact our design team.

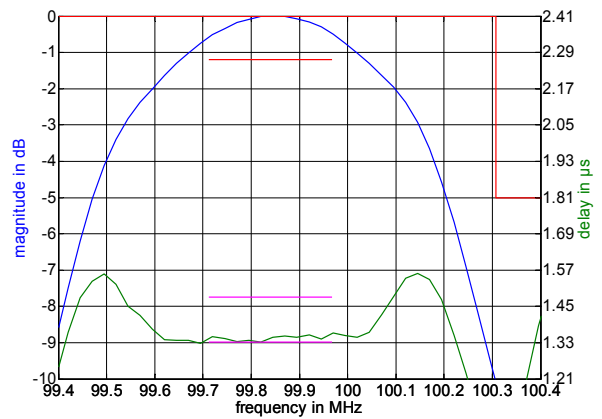
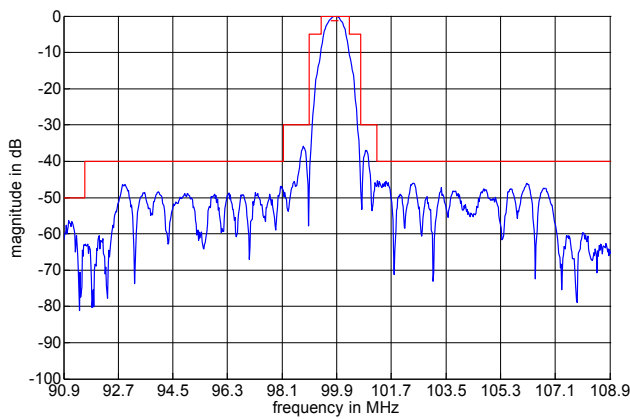
\*\*)  $\Delta f_c(\text{Hz}) = TC_f(\text{ppm/K}^2) \times (T_o - T_A)^2 \times f_{CAT}(\text{MHz})$

**Generated:****Checked / Approved:**

**Tele Filter GmbH**  
**Potsdamer Straße 18**  
**D 14 513 TELTOW / Germany**  
**Tel: (+49) 3328 4784-0 / Fax: (+49) 3328 4784-30**  
**E-Mail: [tft@telefilter.com](mailto:tft@telefilter.com)**

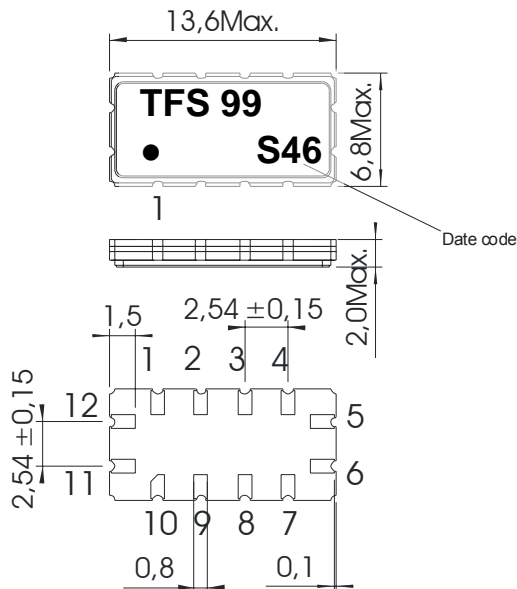
VI TELEFILTER reserves the right to make changes to the product(s) and/or information contained herein without notice. No liability is assumed as a result of their use or application. No rights under any patent accompany the sale of any such product(s) or information.

**Filter characteristic**



**Construction and pin connection**

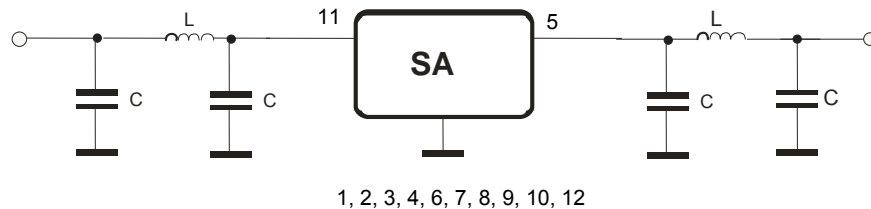
(All dimensions in mm)



- 1 Ground
- 2 Ground
- 3 Ground
- 4 Ground
- 5 Output
- 6 Output RF Return
- 7 Ground
- 8 Ground
- 9 Ground
- 10 Ground
- 11 Input
- 12 Input RF Return

Date code: Year + week  
 S 2004  
 T 2005  
 U 2006  
 ...

**50 Ohm Test circuit**



**Stability Characteristics**

Tele Filter GmbH  
 Potsdamer Straße 18  
 D 14 513 TELTOW / Germany  
 Tel: (+49) 3328 4784-0 / Fax: (+49) 3328 4784-30  
 E-Mail: [tft@telefilter.com](mailto:tft@telefilter.com)

VI TELEFILTER reserves the right to make changes to the product(s) and/or information contained herein without notice. No liability is assumed as a result of their use or application. No rights under any patent accompany the sale of any such product(s) or information.

After the following tests the filter shall meet the whole specification:

1. Shock: 500g, 18 ms, half sine wave, 3 shocks each plane;  
DIN IEC 68 T2 - 27
2. Vibration: 10 Hz to 500 Hz, 0,35 mm or 5g respectively, 1 octave per min, 10 cycles per plan, 3 plans;  
DIN IEC 68 T2 - 6
3. Change of temperature: -55 °C to 125°C / 30 min. each / 10 cycles  
DIN IEC 68 part 2 – 14 Test N
4. Resistance to solder heat (reflow): reflow possible: twice max.;  
for temperature conditions, please refer to the attached "Air reflow temperature conditions" on page 4;

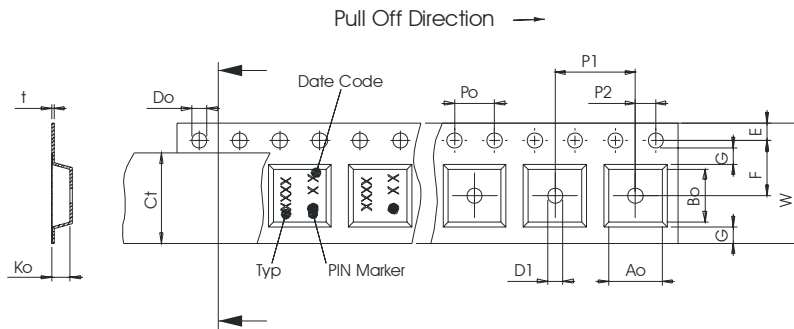
**Packing**

Tape & Reel: IEC 286 – 3, with exception of value for N and minimum bending radius;  
tape type II, embossed carrier tape with top cover tape on the upper side;

max. pieces of filters peer reel: 1700  
reel of empty components at start: min. 300 mm  
reel of empty components at start including leader: min. 500 mm  
trailer: min. 300 mm

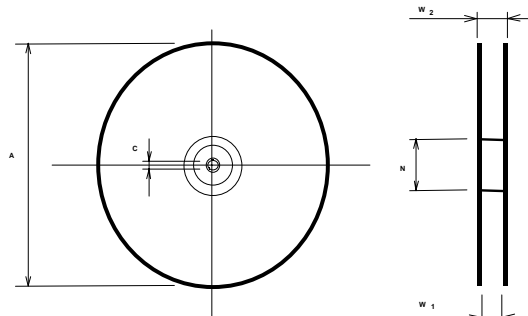
**Tape (all dimensions in mm)**

- W : 24,00 +0,30/-0,10
- Po : 4,00 ± 0,1
- Do : 1,50 +0,1/-0
- E : 1,75 ± 0,10
- F : 11,50 ± 0,10
- G(min) : 0,60
- P2 : 2,00 ± 0,1
- P1 : 12,00 ± 0,1
- D1(min) : 1,50
- Ao : 7,10 ± 0,10
- Bo : 13,90 ± 0,10
- Ct : 21,5 ± 0,1



**Reel (all dimensions in mm)**

- A : 330
- W1 : 24,4 +2/-0
- W2(max) : 30,4
- N(min) : 60
- C : 13,0 +0,5/-0,2



The minimum bending radius is 45 mm.

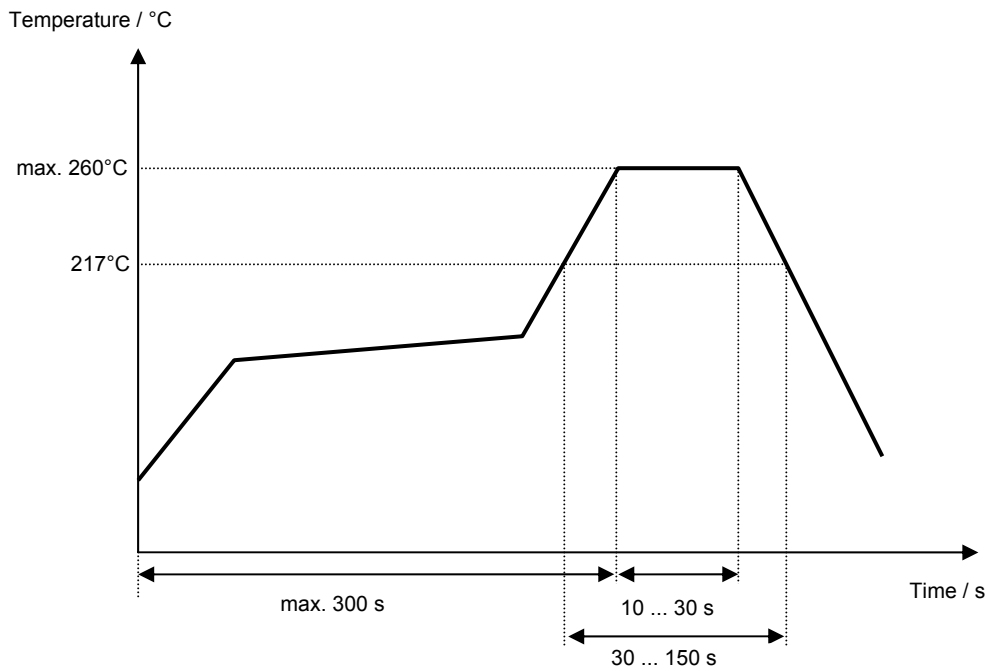
**Air reflow temperature conditions**

**Tele Filter GmbH**  
**Potsdamer Straße 18**  
**D 14 513 TELTOW / Germany**  
**Tel: (+49) 3328 4784-0 / Fax: (+49) 3328 4784-30**  
**E-Mail: [tft@telefilter.com](mailto:tft@telefilter.com)**

VI TELEFILTER reserves the right to make changes to the product(s) and/or information contained herein without notice. No liability is assumed as a result of their use or application. No rights under any patent accompany the sale of any such product(s) or information.

<b>Conditions</b>	<b>Exposure</b>
Average ramp-up rate (30°C to 217°C)	less than 3°C/second
> 100°C	between 300 and 600 seconds
> 150°C	between 240 and 500 seconds
> 217°C	between 30 and 150 seconds
Peak temperature	max. 260°C
Time within 5°C of actual peak temperature	between 10 and 30 seconds
Cool-down rate (Peak to 50°C)	less than 6°C/second
Time from 30°C to Peak temperature	no greater than 300 seconds

**Chip-mount air reflow profile**



**Tele Filter GmbH**  
**Potsdamer Straße 18**  
**D 14 513 TELTOW / Germany**  
**Tel: (+49) 3328 4784-0 / Fax: (+49) 3328 4784-30**  
**E-Mail: [tft@telefilter.com](mailto:tft@telefilter.com)**

VI TELEFILTER reserves the right to make changes to the product(s) and/or information contained herein without notice. No liability is assumed as a result of their use or application. No rights under any patent accompany the sale of any such product(s) or information.

**VI TELEFILTER****Filter specification****TFS 99****5/5****History**

<b>Version</b>	<b>Reason of Changes</b>	<b>Name</b>	<b>Date</b>
1.0	- generation of specification	Strehl	08.09.04
1.1	page 1: terminating impedance and typical values added page 2: filter characteristic and matching configuration added page 4: air reflow temperature conditions modified	Pfeiffer	04.11.2004

---

**Tele Filter GmbH**  
**Potsdamer Straße 18**  
**D 14 513 TELTOW / Germany**  
**Tel: (+49) 3328 4784-0 / Fax: (+49) 3328 4784-30**  
**E-Mail: [tft@telefilter.com](mailto:tft@telefilter.com)**

---

VI TELEFILTER reserves the right to make changes to the product(s) and/or information contained herein without notice. No liability is assumed as a result of their use or application. No rights under any patent accompany the sale of any such product(s) or information.