



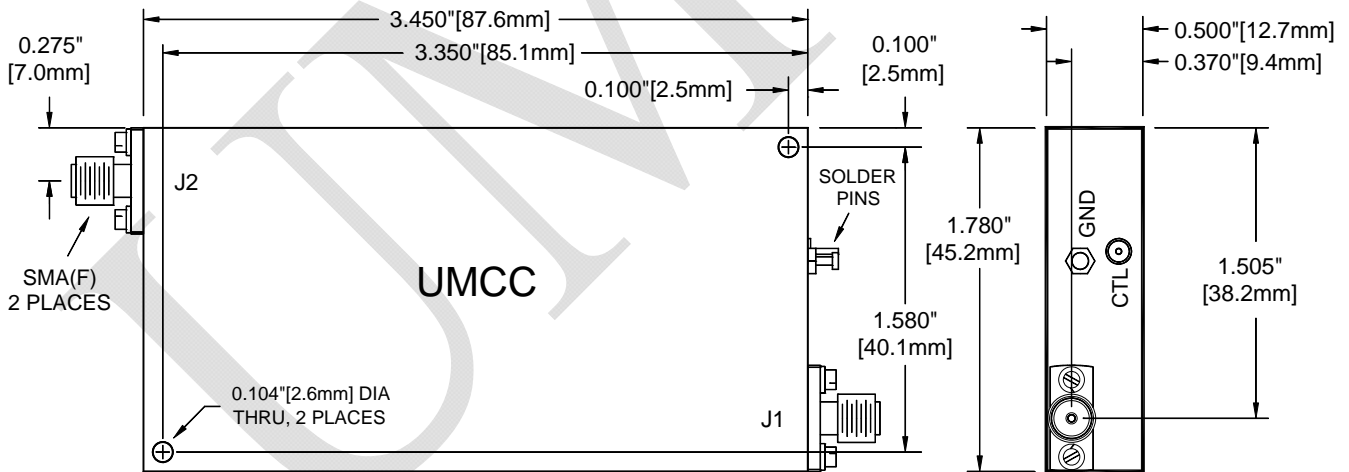
Model: AE-B000-40C

Description:	Current Controlled PIN Attenuator
Operating Frequency:	350 - 1100 MHz
Phase-Invariant Frequency Region (<±10 Deg):	540-890 MHz
Insertion Loss (0dB Attn. Ref.):	1.7 dB Max
Attenuation Range:	0 – 40 dB Nominal Min
Attenuation Flatness:	0.6 dB Peak-Peak up to 10 dB
	1.0 dB Peak-Peak up to 20 dB
	1.4 dB Peak-Peak up to 30 dB
	1.6 dB Peak-Peak up to 40 dB
Control Function:	0 – 10 mA Forward Current (approx.)
VSWR (all settings):	1.5:1 Max
Settling Time ("±1dB of Target Setting"):	750 ns Max, (10µs<PW<0.1s)
Power Handling:	Operating..... +12 dBm CW/Peak Max
	Survival..... +30 dBm CW/AVG Max
Connectors (RF):	SMA (f), Removable
Connector (Supply & Controls):	Solder Pins
Impedance:	50 Ohms Nominal
Quality:	Best-Commercial-Grade

Environmental Ratings:

Temperature:	{Operating: -40°C to +85°C} & {Storage: -50°C to +100°C}
Humidity:	MIL-STD-202F, Method 103B, Cond. B (96 hours at 95% R.H.)
Shock:	MIL-STD-202F, Method 213B, Cond. B (75G, 6mSec)
Vibration:	MIL-STD-202F, Method 204D, Cond. B (.06" double amplitude, or 15G)
Altitude:	MIL-STD-202F, Method 105C, Cond. B (50,000 Feet)
Temp. Shock:	MIL-STD-202F, Method 107D, Cond. A (5 cycles)

Outline



(Tolerances: ±0.015" [0.38mm])