

General Description

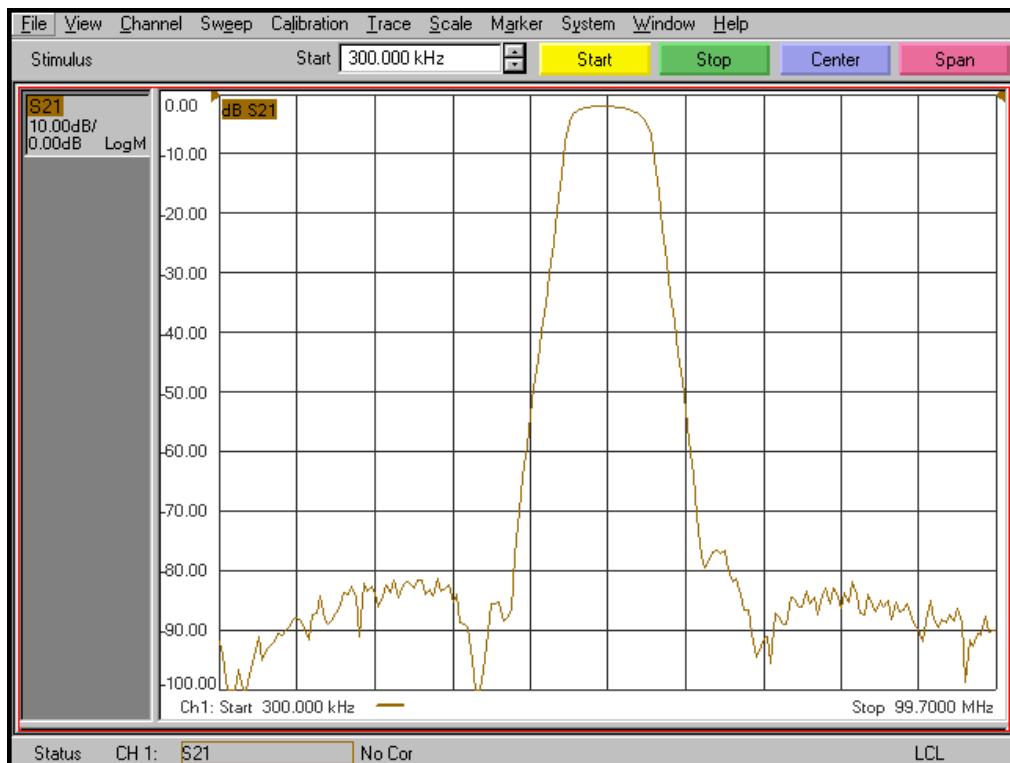
KR Electronics part number 3077 is a 50 MHz bandpass filter. The filter has a 3 dB bandwidth of 10 MHz and maximum 55 dB bandwidth of 24 MHz. Other center frequencies and bandwidths are available. Please consult the factory.

Features

- 50 MHz Bandpass Filter
- 10 MHz 3 dB Bandwidth
- Sharp Elliptic Type Design
- 50 Ω Source and Load
- Surface mount
- Also available with SMA Connectors

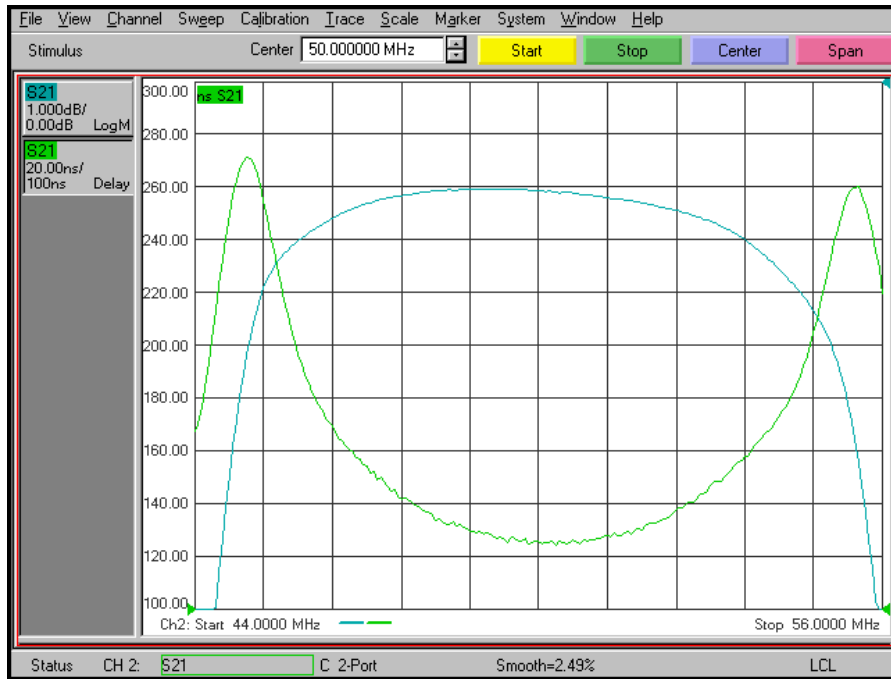
Typical Performance

Overall Response (10 dB/div)

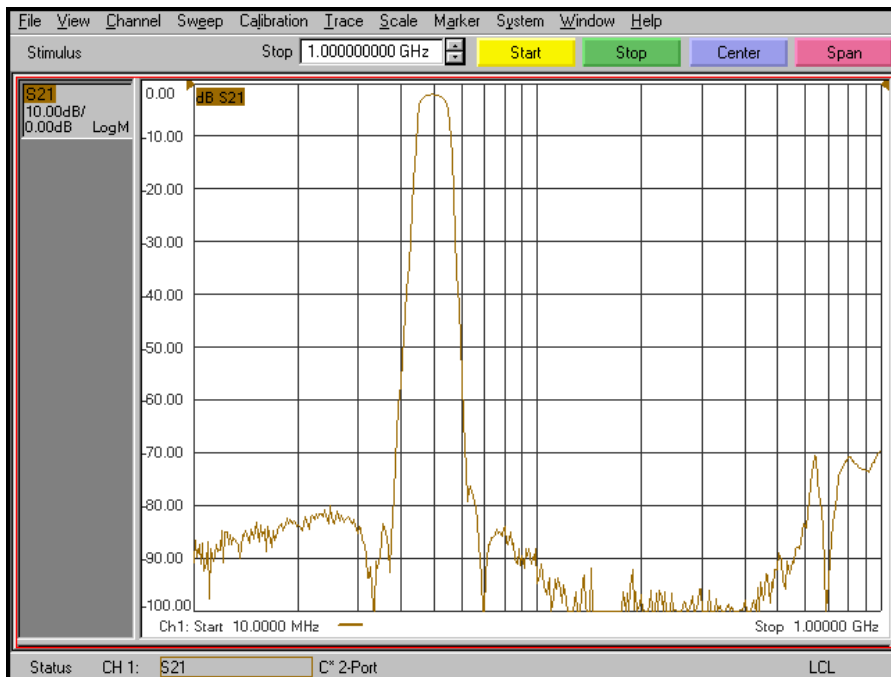


KR Electronics 3077

Passband Amplitude & Group Delay (1 dB/div & 10 nsec/div)



Overall Response (10 dB/div)



KR Electronics, Inc.
91 Avenel Street
Avenel, NJ 07001

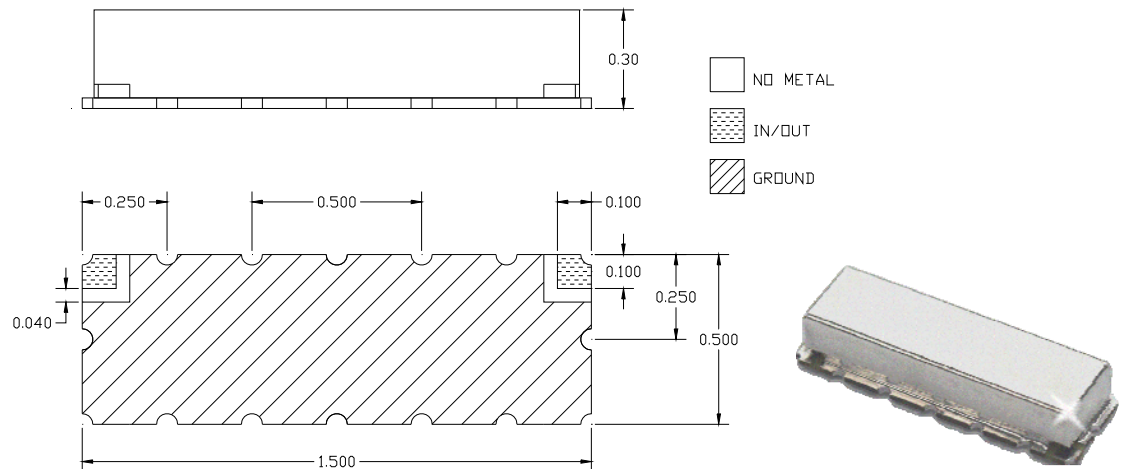
Web: www.krfilters.com
Email: sales@krfilters.com
Phone: (732) 636-1900
Fax: (732) 636-1982

KR Electronics 3077

Specifications

Parameter	Specification	
Filter type	Bandpass	
Center Frequency	50 MHz	
Insertion Loss	3.5 dB max	2 dB typical
1 dB Bandwidth	7.8 MHz typical	
3 dB Bandwidth	10 MHz \pm 0.5 MHz	
40 dB Bandwidth	17.5 MHz typical	
55 dB Bandwidth	24 MHz max	>55 dBc at 38 & 62 MHz
60 dB Bandwidth	22 MHz typical	
Source and Load	50 Ω	

Physical Dimensions



Notes:

1. Surface mount package
2. Dimensions in inches
3. Max reflow temperature 230° C for 10 sec
4. If boards are cleaned after installation units must be completely dried

KR Electronics, Inc.
91 Avenel Street
Avenel, NJ 07001

Web www.krfilters.com
Email sales@krfilters.com
Phone (732) 636-1900
Fax (732) 636-1982