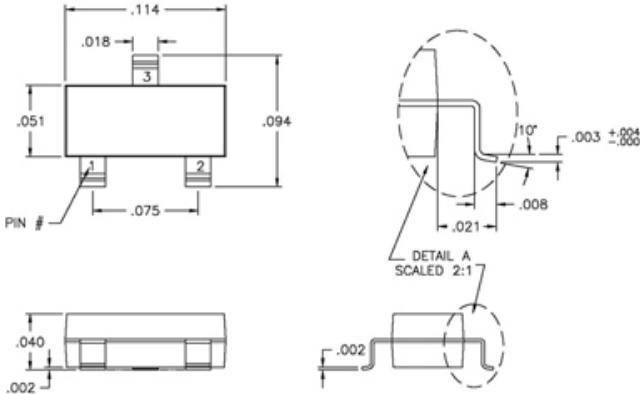


SPEC SHEET

SM4

10 kHz to 100 MHz

Noise Diodes



Specifications

RF Frequency	10 kHz to 100 MHz
Noise Output	34 dB Min (10 KHz to 1 MHz) ENR 33 dB min (1 MHz to 10 MHz) ENR 31 db min (10 MHz to 100 MHz) ENR
Noise Spectral Density (N_o)	-140 dBm/Hz Min (10 kHz-1 MHz)
Bias Voltage	5.8 nominal V
Supply Current	4 mA Max
Impedance	50 ohms

Package and Connectivity

Construction	SMT SOT23
--------------	-----------

Environmental

Operating Temperature	-40 to 85 °C
Storage Temperature	-55 to 125 °C

Notes



MERCURY COMMERCIAL ELECTRONICS

Microwave RF Components | Hudson, NH | (603) 546-4100 | rf.mrcy.com
 Specifications subject to change without notice

