

1000 MHz < Fo < 1400 MHz

Band Pass

Slopes 380 MHz

Bandwidth 60 MHz

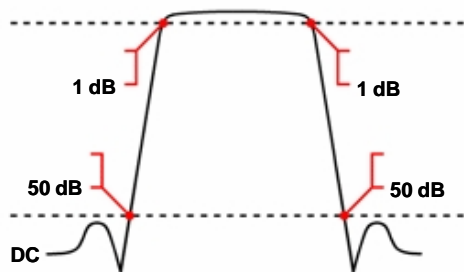
WBCJV4-\_\_\_

Attenuation 50 dB

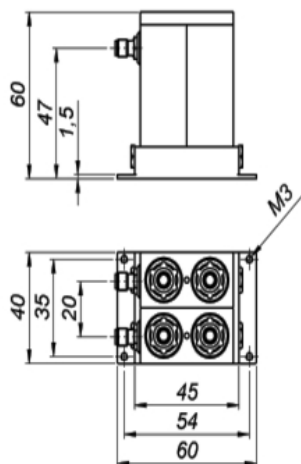
### Specifications

<b>Passband:</b>	___ (Fo) ± 30 MHz = ___ to ___ MHz
<b>Passband Insertion Loss:</b>	0.75 dB max. at Fo (1 dB max. at corners)
<b>Passband Return Loss:</b>	14 dB min. (VSWR 1.5:1 max.)
<b>Stopband:</b>	DC to ___ MHz and ___ to ___ MHz
<b>Stopband Attenuation:</b>	50 dB min.
<b>Operating Temperature:</b>	15 °C to 45 °C
<b>Power Handling:</b>	will be quoted ( <i>Please see our <a href="#">warranty</a> in this regard</i> )
<b>Dimensions (L x W x H):</b>	max. 45 x 40 x 60 mm (plus connectors and flanges)
<b>Approx. Weight:</b>	0.3 kg
<b>Mounting Provision:</b>	7.5 mm flanges on both ends with 3.3 mm holes
<b>Connector 1:</b>	- Please choose -
<b>Connector 2:</b>	- Please choose -

### Typical Performance



### 4 Section Cavity Design



### Connector Options

- SMA Female
- SMA Male
- N Female
- N Male
- BNC Female
- BNC Male

©2013 Wainwright Instruments. All rights reserved.

<b>Euro Prices</b>	<b>1 - 4 pcs:</b>	€ 545
(USD Prices will be quoted for US-based customers only)	<b>5 - 9 pcs:</b>	€ 504
	<b>10 - 24 pcs:</b>	€ 466

**Delivery Terms** FCA Andechs (free carrier) according to **Incoterms 2010**  
 In Deutschland liefern wir frachtfrei gemäß CPT **Incoterms 2010** (unversichert).  
 Regarding payment terms and warranty see [Terms and Conditions](#).  
**Delivery time:** normally 3 to 4 weeks - depending on quantity ordered and on our work load.

Customer is responsible for observing all applicable export laws in regard to filter application and location of end user



**Wainwright Instruments GmbH**  
 www.wainwright-filters.com

Tel: +49 8152 918230  
 Fax: +49 8152 918255  
 info@wainwright-filters.com