



## Directional 30 dB SMA Coupler From 4 GHz to 8 GHz Rated To 50 Watts

### TECHNICAL DATA SHEET

PE2204-30

#### Configuration

|                    |                     |
|--------------------|---------------------|
| Connector 1        | SMA Female          |
| Connector 2        | SMA Female          |
| Coupled Connectors | SMA Female          |
| Design             | Directional Coupler |

#### Electrical Specifications

| Description         | Minimum | Typical | Maximum | Units  |
|---------------------|---------|---------|---------|--------|
| Frequency Range     | 4       |         | 8       | GHz    |
| Directivity         | 20      |         |         | dB     |
| Impedance           |         | 50      |         | Ohms   |
| Insertion Loss      |         |         | 0.25    | dB     |
| Input Power         |         |         | 50      | Watts  |
| Input VSWR          |         |         | 1.25:1  |        |
| Secondary Line VSWR |         |         | 1.25:1  |        |
| Peak Power          |         |         | 3       | KWatts |
| Coupling Value      |         | 30      |         | dB     |
| Coupling Tolerance  |         |         | ± 1.25  | dB     |
| Coupling Flatness   |         |         | ± 0.75  | dB     |

Electrical Specification Notes: Values at 25°C, sea level.

#### Mechanical Specifications

##### Size

|            |                    |
|------------|--------------------|
| Length     | 1.75 in [44.45 mm] |
| Width/Dia. | 0.38 in [9.65 mm]  |
| Height     | 1 in [25.4 mm]     |

##### Connectors

| Description | Connector 1 | Connector 2 | Coupled Connectors |
|-------------|-------------|-------------|--------------------|
| Type        | SMA Female  | SMA Female  | SMA Female         |

#### Compliance Certifications (visit [www.Pasternack.com](http://www.Pasternack.com) for current document)

|                    |            |
|--------------------|------------|
| Not RoHS Compliant |            |
| REACH Compliant    | 06/20/2011 |

Click the following link (or enter part number in "SEARCH" on website) to obtain additional part information including price, inventory and certifications: [Directional 30 dB SMA Coupler From 4 GHz to 8 GHz Rated To 50 Watts PE2204-30](#)



## Directional 30 dB SMA Coupler From 4 GHz to 8 GHz Rated To 50 Watts

### TECHNICAL DATA SHEET

PE2204-30

#### Plotted and Other Data

Notes:

- Values at 25°C, sea level.

Directional 30 dB SMA Coupler From 4 GHz to 8 GHz Rated To 50 Watts from Pasternack Enterprises has same day shipment for domestic and International orders. Our RF, microwave and millimeter wave products maintain a 99% availability and are part of the broadest selection in the industry.

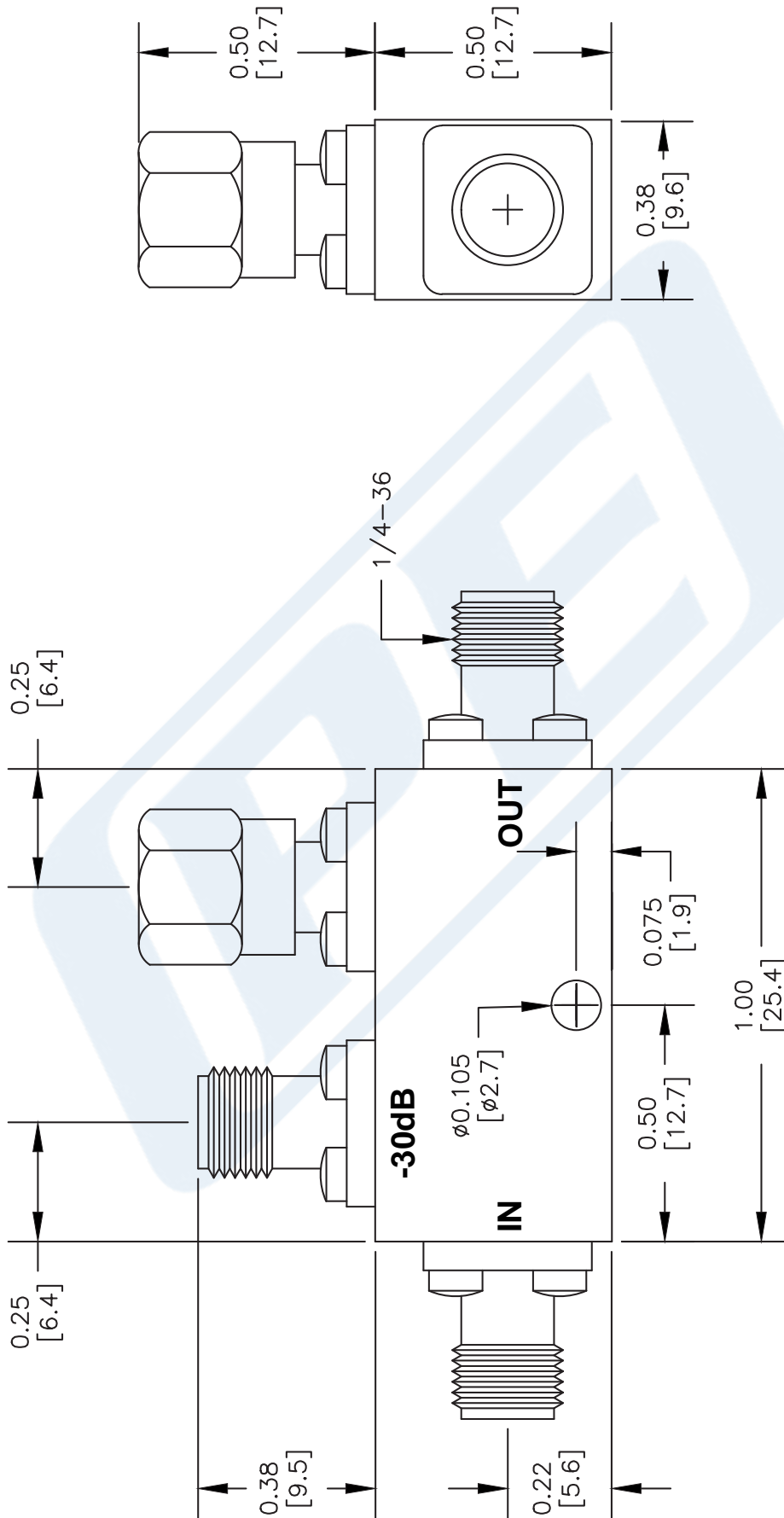
Click the following link (or enter part number in "SEARCH" on website) to obtain additional part information including price, inventory and certifications: [Directional 30 dB SMA Coupler From 4 GHz to 8 GHz Rated To 50 Watts PE2204-30](#)

URL: <http://www.pasternack.com/directional-30-db-sma-coupler-4-8-ghz-50-watts-pe2204-30-p.aspx>

The information contained in this document is accurate to the best of our knowledge and representative of the part described herein. It may be necessary to make modifications to the part and/or the documentation of the part, in order to implement improvements. Pasternack reserves the right to make such changes as required. Unless otherwise stated, all specifications are nominal. Pasternack does not make any representation or warranty regarding the suitability of the part described herein for any particular purpose, and Pasternack does not assume any liability arising out of the use of any part or documentation.

# PE2204-30 CAD Drawing

Directional 30 dB SMA Coupler From 4 GHz to 8 GHz Rated To 50 Watts



DWG TITLE

**PE2204-30**

NOTES:  
 1. UNLESS OTHERWISE SPECIFIED ALL DIMENSIONS ARE NOMINAL.  
 2. ALL SPECIFICATIONS ARE SUBJECT TO CHANGE WITHOUT NOTICE AT ANY TIME.  
 3. DIMENSIONS ARE IN INCHES [mm].

FSCM NO. 53919

CAD FILE 092908-A

SCALE N/A

SIZE A

XXXX

**PE PASTERNAK®**  
 Pasternack Enterprises, Inc.  
 P.O. Box 16759 | Irvine | CA | 92623  
 Phone: (949) 261-1920 | Fax: (949) 261-7451  
 Website: www.pasternack.com | E-Mail: sales@pasternack.com