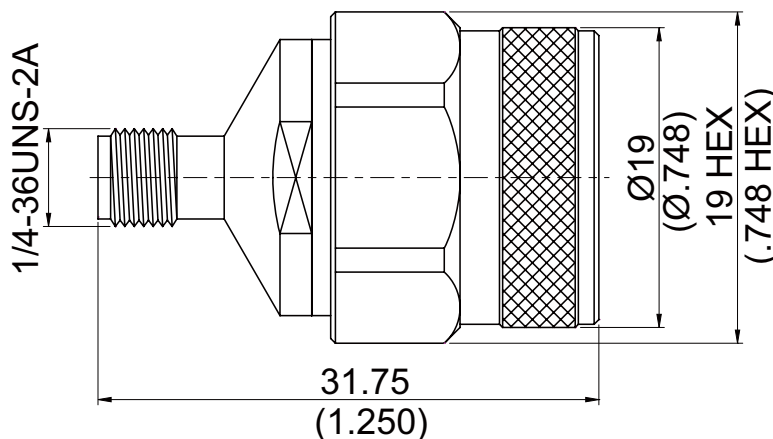


AD-A8N3A-18SH

SMA Jack To N Plug For 18 GHz

50Ω



Typical VSWR

Part Number	1 Ghz	2~3 Ghz	4~9 Ghz	10~18 Ghz
AD-A8N3A-18SH	1.02	1.06	1.07	1.18

Parts	Material	Plating (Micro-inch)
Contact Pin	Beryllium Copper	Gold 4 Over Nickel-Phosphorus Alloy 80 Over Copper 20
Body(SMA)	Brass	Gold 4 Over Nickel-Phosphorus Alloy 80 Over Copper 20
Retainer Ring	Brass	Tin-Zinc-Copper-Alloy 200 Over Copper 50
Gasket	Silicon	
Insulator	P.P.O	
Insulator	Teflon	
Body(N)	Brass	Tin-Zinc-Copper-Alloy 200 Over Copper 50
Coupling Nut	Brass	Tin-Zinc-Copper-Alloy 200 Over Copper 50

Weight:

This part number complies with RoHS.

Notice: JYEBAO reserves the right to make modifications deemed appropriate.