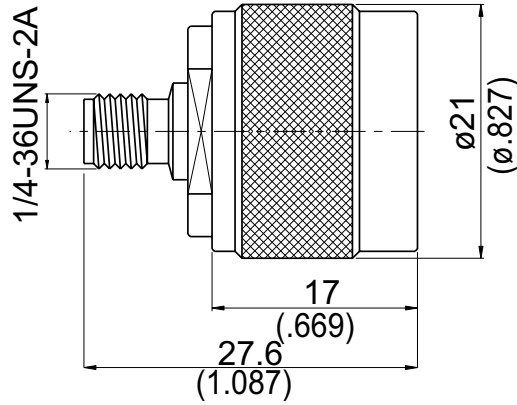


ADS-A8N3

Stainless SMA Jack To N Plug 50Ω



Typical VSWR

Part Number	1~2 GHz	3 GHz	4 GHz	5 GHz	6 GHz	7 GHz	8GHz	9~11GHz	12GHz
ADS-A8N3	1.01	1.03	1.06	1.1	1.13	1.16	1.2	1.24	1.3

Parts	Material	Plating (Micro-inch)
Retainer Ring	Brass	Tin-Zinc-Copper-Alloy 100 Over Copper 50
Gasket	Silicon	
Contact Pin	Phosphor Bronze	Gold 10 Over Nickel 50 Over Copper 50
Insulator	Teflon	
Body	Stainless	Passivated
Coupling Nut	Stainless	Passivated

Weight: 29.58 g

This part number complies with RoHS.

Notice: JYEBAO reserves the right to make modifications deemed appropriate.