

Industrial Microwave +
Plasma Systems

MUEGGE

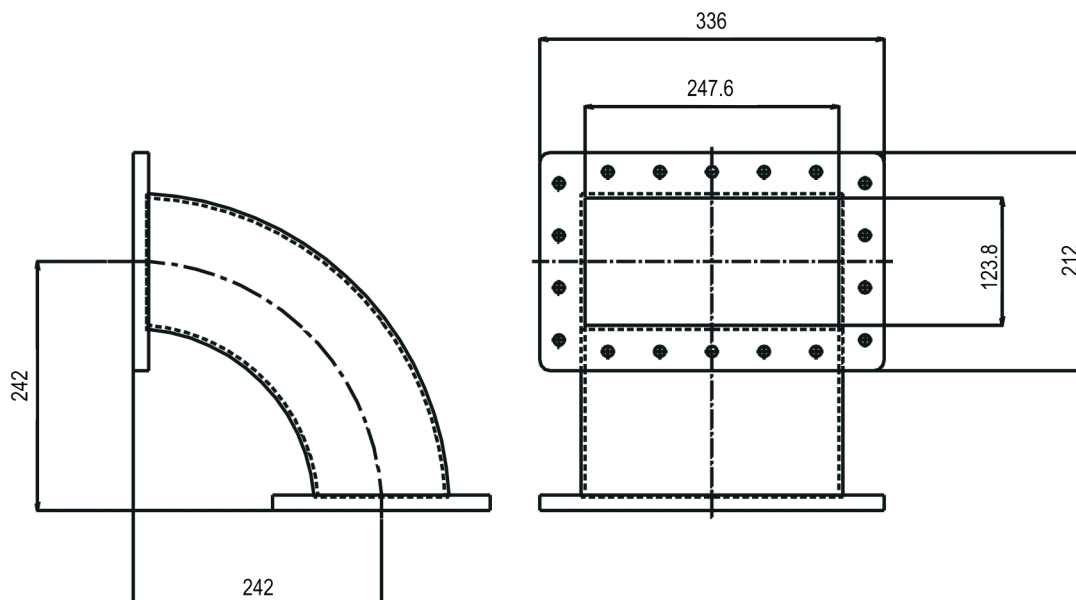
E-Bend MW3007A-260CD

Waveguide Components (90° / 915 MHz / WR 975)

Features:

- Low VSWR
- Low insertion loss
- Full waveguide band performance

Outline Dimensions (mm):



E-Bend MW3007A-260CD

Industrial Microwave +
Plasma Systems



Specifications:

Frequency:	915 MHz +/-25 MHz
HF-Power:	Max. 100 kW
Waveguide:	WR 975
Waveguide flange:	UDR 9
Angle:	90 °
Radius:	242 mm
Weight:	Approx. 6 kg
Material:	Aluminum
Finish:	RAL 7035
Dimensions (L x W x H):	348 mm x 336 mm x 348 mm

Options:

- Material (e.g.: copper, brass)
- Special finish (e.g.: chromated, etched, silver plated, painted)
- Special flanges
- Arbitrary angle
- Special radius