

LPA7-TRI-SMA/651

COBHAM

Directional Antenna

The most important thing we build is trust

Designed for DAS Applications

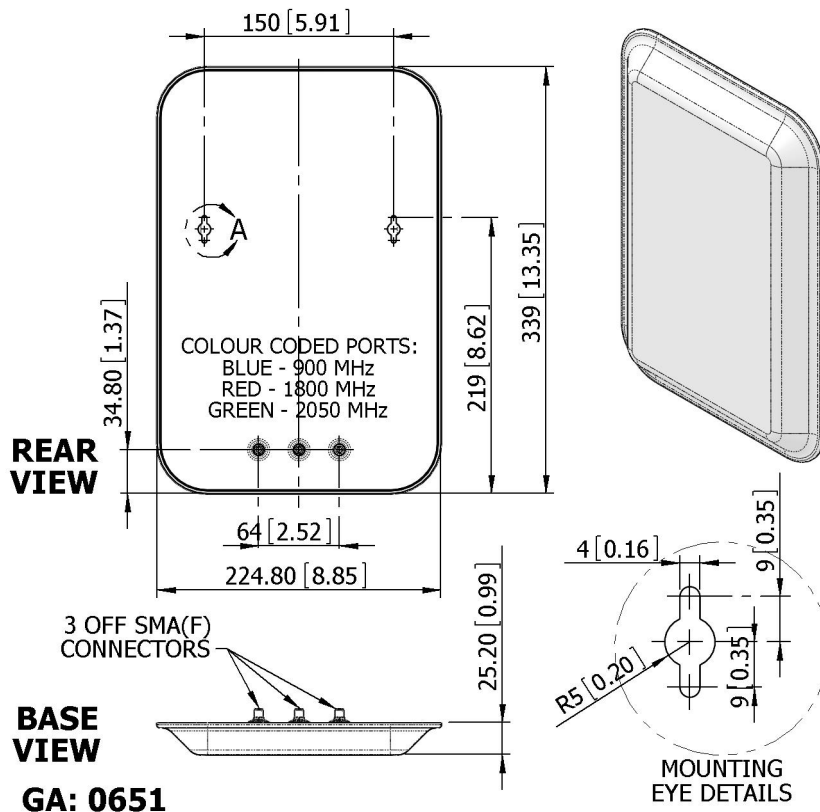
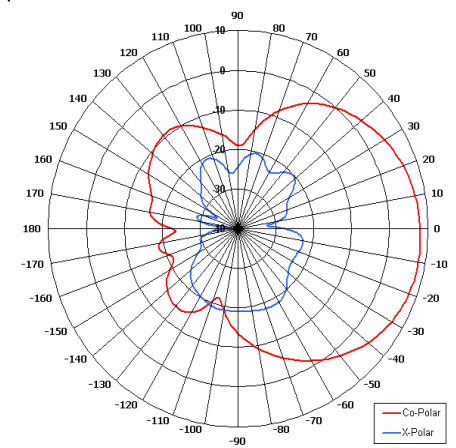
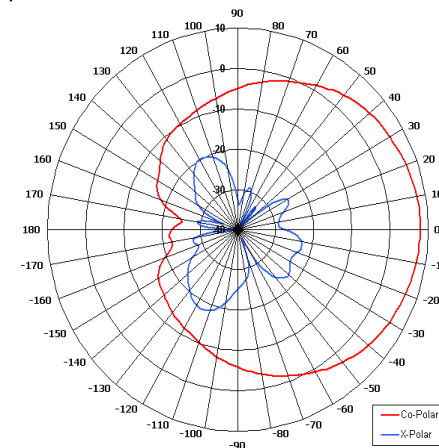
Tri-Band Cellular Antenna

Vertical Polarisation

Low Profile

Colour Options

Connector Options



ELECTRICAL

Frequency	GSM 900 (880-960 MHz) DCS 1800 (1710-1880 MHz) UMTS (1920-2175 MHz)
Gain	6 dBi Nom (each band)
Polarisation	Linear (Vertical)
Beamwidth	80° (Az) x 80° (El) Approx
Cross Polar	20 dB
VSWR	2.0:1 Max (each band)
Power Rating	10 W
Front to Back	20 dB Typ
Isolation	25 dB

MECHANICAL

Standard Finish	Gloss White
Mass	750 g (1.65 lbs)
Temperature	-20° to +50°C

MOUNTING OPTIONS

Kits Available	N/A
See separate data sheets	

ADDITIONAL NOTES

Issued 091210

European Antennas Limited trading as Cobham Antenna Systems, Microwave Antennas

European Antennas Limited has a policy of continuous development and stress that the information provided is a guide only and does not constitute an offer or contract or part thereof. Whilst every effort is made to ensure the accuracy of the information contained in this brochure, no responsibility can be accepted for any errors or omissions.

The copyright of antenna designs and images is copyright protected and owned by European Antennas Limited.
 ©European Antennas Limited

For further information please contact:

Cobham Antenna Systems, Microwave Antennas
 Lambda House, Cheveley,
 Newmarket, Suffolk CB8 9RG, UK.
 Tel +44 (0)1638 732 177
 Fax +44 (0) 1638 731999
 Email antennasystems.ma@cobham.com